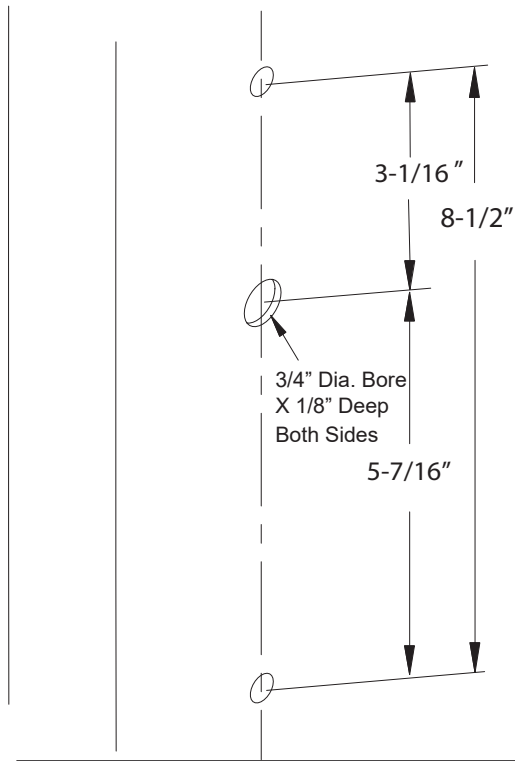


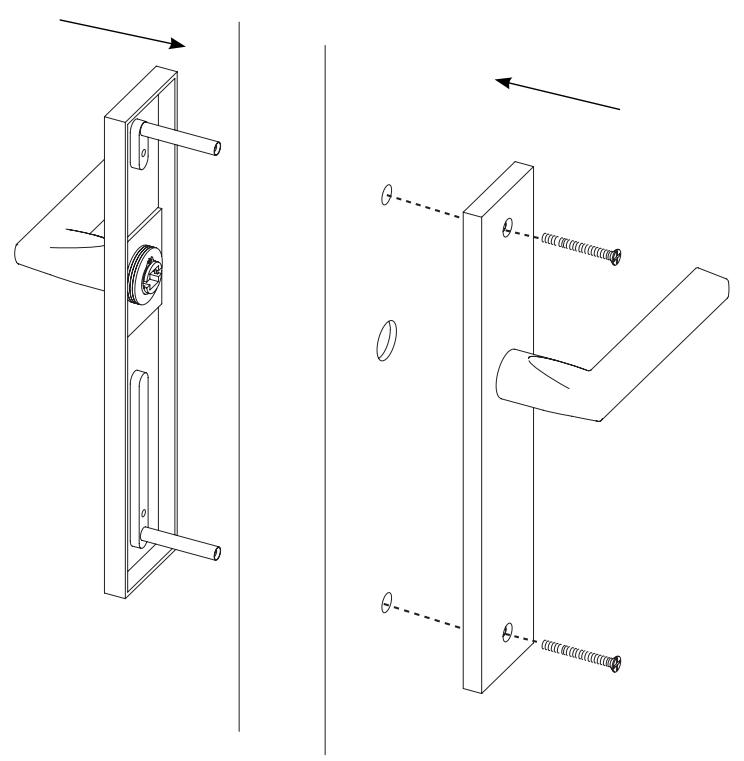
1. Door Prep For Pair Dummy



See template for door prep specifications.

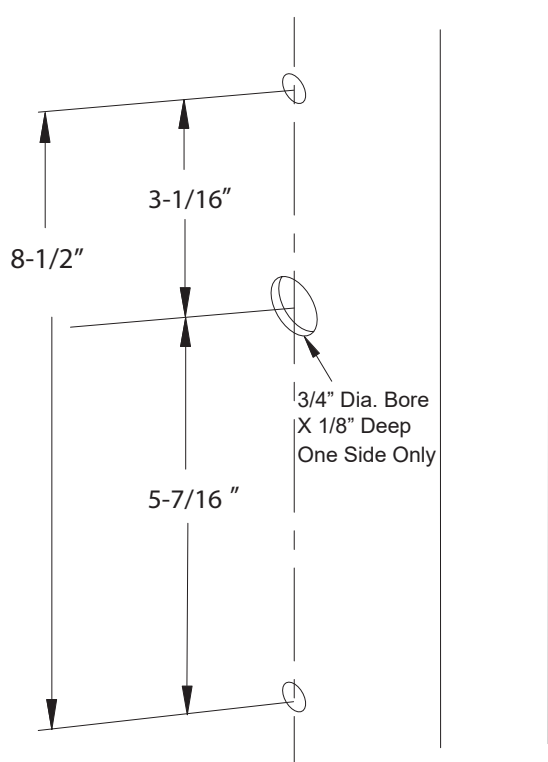
2. Pair Dummy Installation

Step 1. Position trim through the bore holes and tighten with #8 machine screws (provided).



Installation Guide - STRETTO Narrow Dummy Sideplate (Single Sided)

1. Door Prep For Single Sided Dummy



See template for door prep specifications.

2. Single Sided Dummy Installation

Step 1. Position trim through the bore holes and tighten with #8 machine screws (provided).

