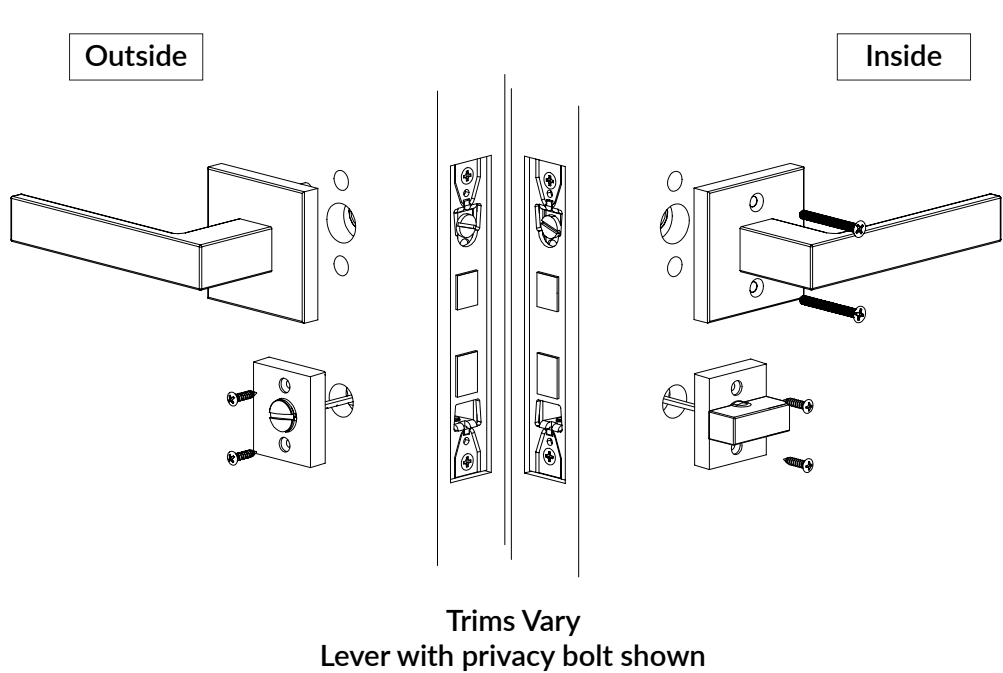
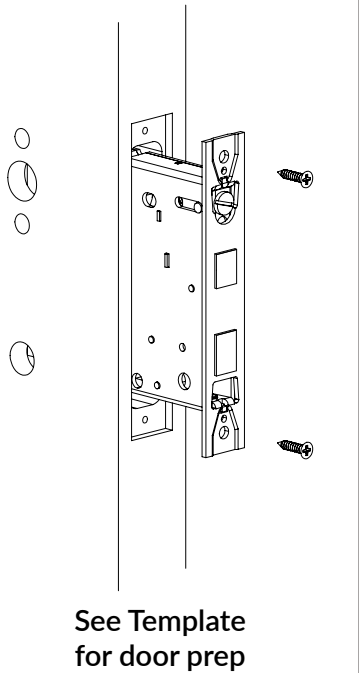
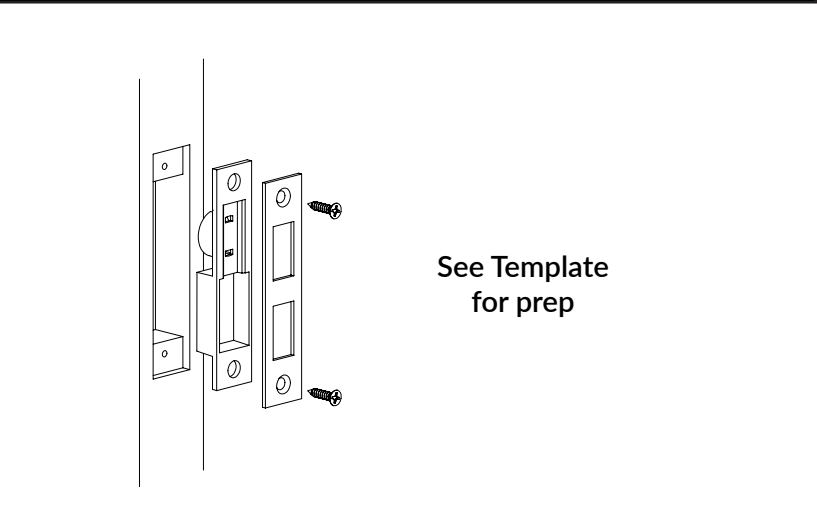
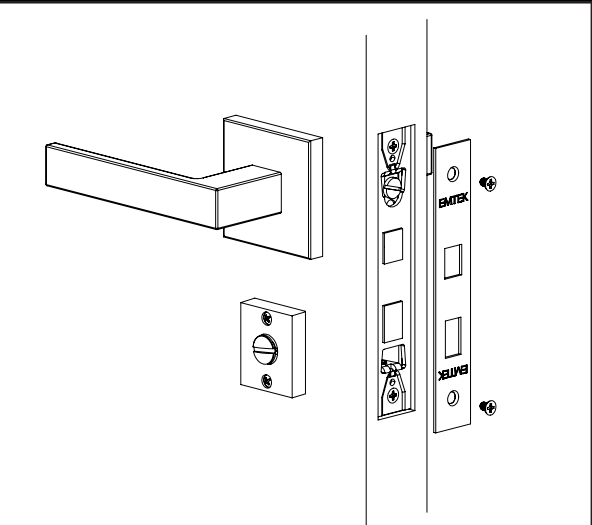


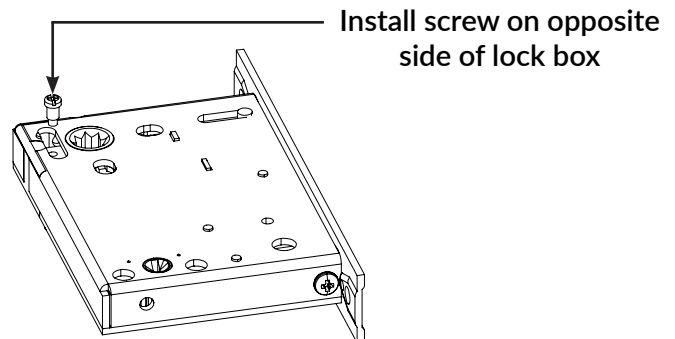
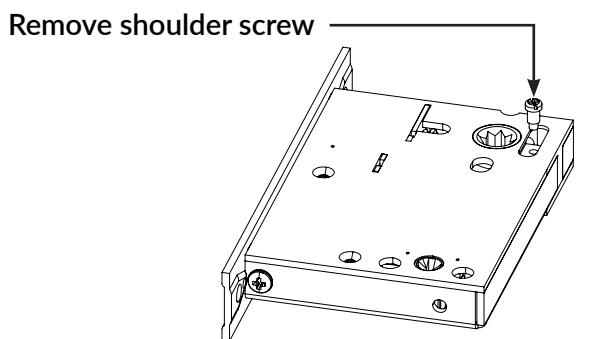
1. Install Lockbox      2. Install Trims



3. Install Faceplate      4. Install Strike Plate & Magnetic Box



Instruction to reverse Handing



Handing can be changed to LH or RH so that the door is unlocked automatically when engaging the lever or knob from the inside. Shoulder screw should be on interior side when lock box is installed.