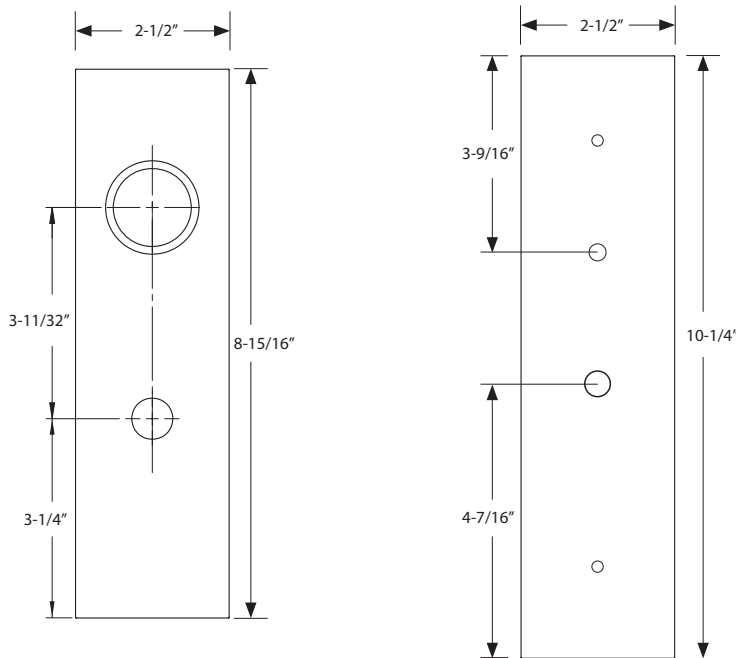


Part# UL 3545



Outside Trim

Inside Trim



**Door Thickness Specifications**

**Standard Door Thickness: 1-3/4"**

Standard Components:

- 1-3/8" Threaded Cylinder
- 2" Long Spindle
- 2" Top Rosette Screw
- 1-1/2" Bottom Rosette Screw
- Thumbpress
- Strikeplate

**Extended Door Thickness: 1-7/8" - 2-1/4"**

Extended Components:

- 1-1/2" Threaded Cylinder
- 2" Long Spindle
- 2-1/2" Top Rosette Screw
- 2" Bottom Rosette Screw
- Thumbpress
- Strikeplate

**Extended Door Thickness: 2-3/8" - 2-3/4"**

Extended Components:

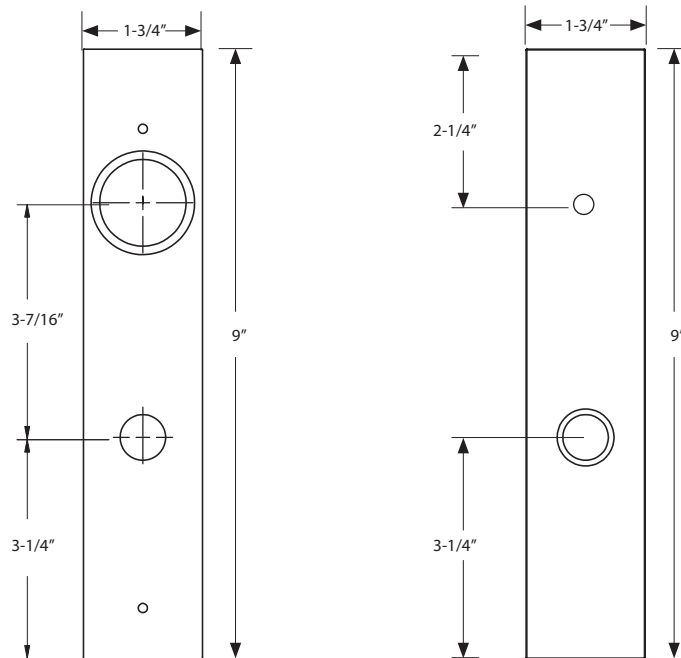
- 1-3/4" Threaded Cylinder
- 2-1/4" Long Spindle
- 2-1/2" Top Rosette Screw
- 2" Bottom Rosette Screw
- Extended Thumbpress
- Extended Strikeplate

Part# UL 3313



Outside Trim

Inside Trim



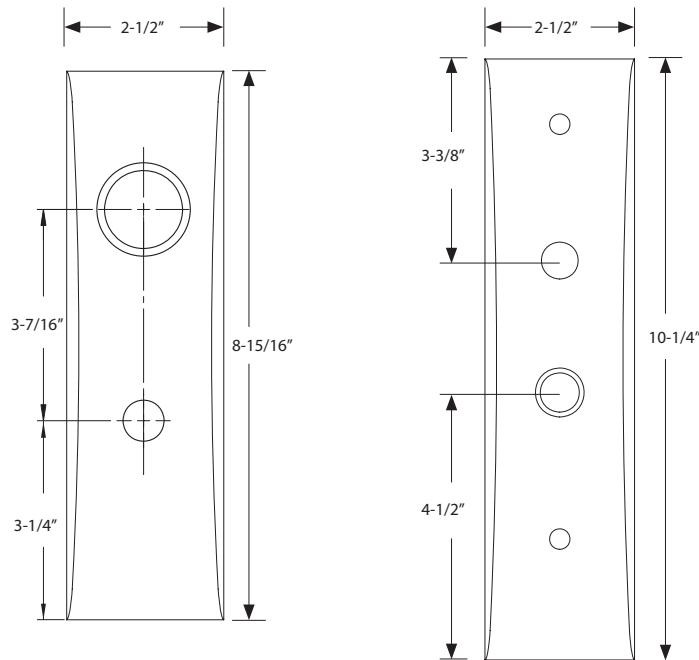
| Door Thickness Specifications   |  |  |
|---|--|--|
| <p><b>Standard Door Thickness: 1-3/4"</b></p> <p>Standard Components:</p> <ul style="list-style-type: none"> <li>• 1-3/8" Threaded Cylinder</li> <li>• 2" Long Spindle</li> <li>• 2" Top Rosette Screw</li> <li>• 1-1/2" Bottom Rosette Screw</li> <li>• Thumbpress</li> <li>• Strikeplate</li> </ul> | <p><b>Extended Door Thickness: 1-7/8" - 2-1/4"</b></p> <p>Extended Components:</p> <ul style="list-style-type: none"> <li>• 1-1/2" Threaded Cylinder</li> <li>• 2" Long Spindle</li> <li>• 2-1/2" Top Rosette Screw</li> <li>• 2" Bottom Rosette Screw</li> <li>• Thumbpress</li> <li>• Strikeplate</li> </ul> | <p><b>Extended Door Thickness: 2-3/8" - 2-3/4"</b></p> <p>Extended Components:</p> <ul style="list-style-type: none"> <li>• 1-3/4" Threaded Cylinder</li> <li>• 2-1/4" Long Spindle</li> <li>• 2-1/2" Top Rosette Screw</li> <li>• 2" Bottom Rosette Screw</li> <li>• Extended Thumbpress</li> <li>• Extended Strikeplate</li> </ul> |

Part# UL 3544



Outside Trim

Inside Trim



Door Thickness Specifications

**Standard Door Thickness: 1-3/4"**

- Standard Components:
- 1-3/8" Threaded Cylinder
  - 2" Long Spindle
  - 2" Top Rosette Screw
  - 1-1/2" Bottom Rosette Screw
  - Thumbpress
  - Strikeplate

**Extended Door Thickness: 1-7/8" - 2-1/4"**

- Extended Components:
- 1-1/2" Threaded Cylinder
  - 2" Long Spindle
  - 2-1/2" Top Rosette Screw
  - 2" Bottom Rosette Screw
  - Thumbpress
  - Strikeplate

**Extended Door Thickness: 2-3/8" - 2-3/4"**

- Extended Components:
- 1-3/4" Threaded Cylinder
  - 2-1/4" Long Spindle
  - 2-1/2" Top Rosette Screw
  - 2" Bottom Rosette Screw
  - Extended Thumbpress
  - Extended Strikeplate

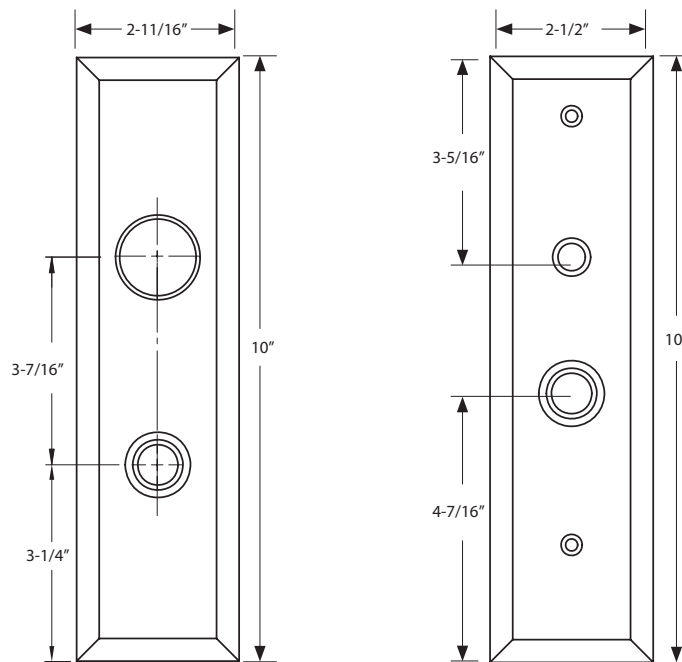
Part# UL 3551



Outside Trim



Inside Trim



Door Thickness Specifications

**Standard Door Thickness:** 1-3/4"

- Standard Components:
- 1-3/8" Threaded Cylinder
  - 2" Long Spindle
  - 2" Top Rosette Screw
  - 1-1/2" Bottom Rosette Screw
  - Thumbpress
  - Strikeplate

**Extended Door Thickness:** 1-7/8" - 2-1/4"

- Extended Components:
- 1-1/2" Threaded Cylinder
  - 2" Long Spindle
  - 2-1/2" Top Rosette Screw
  - 2" Bottom Rosette Screw
  - Thumbpress
  - Strikeplate

**Extended Door Thickness:** 2-3/8" - 2-3/4"

- Extended Components:
- 1-3/4" Threaded Cylinder
  - 2-1/4" Long Spindle
  - 2-1/2" Top Rosette Screw
  - 2" Bottom Rosette Screw
  - Extended Thumbpress
  - Extended Strikeplate

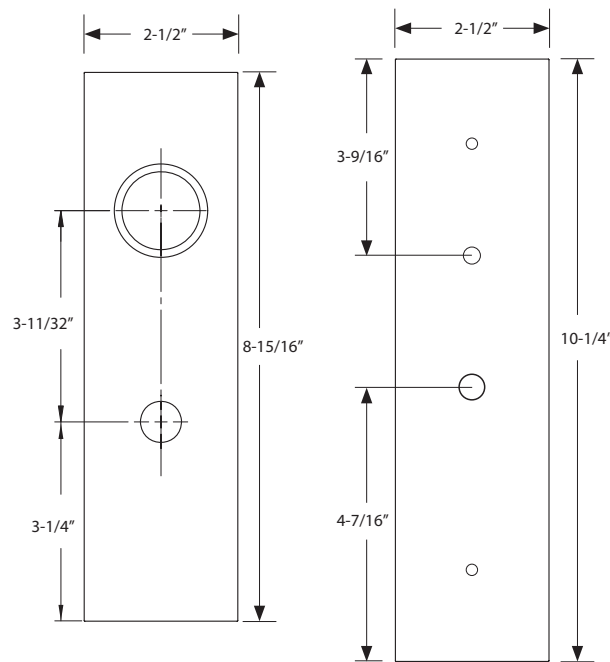
Part# UL S3501



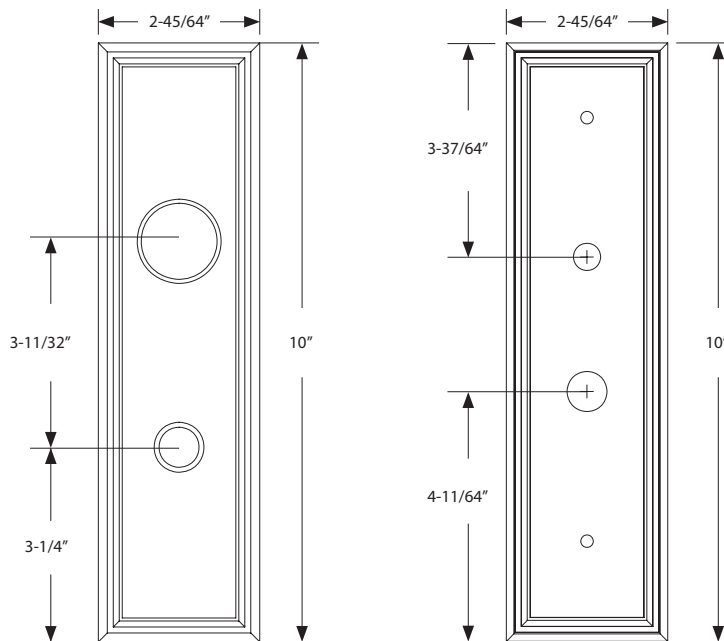
Outside Trim



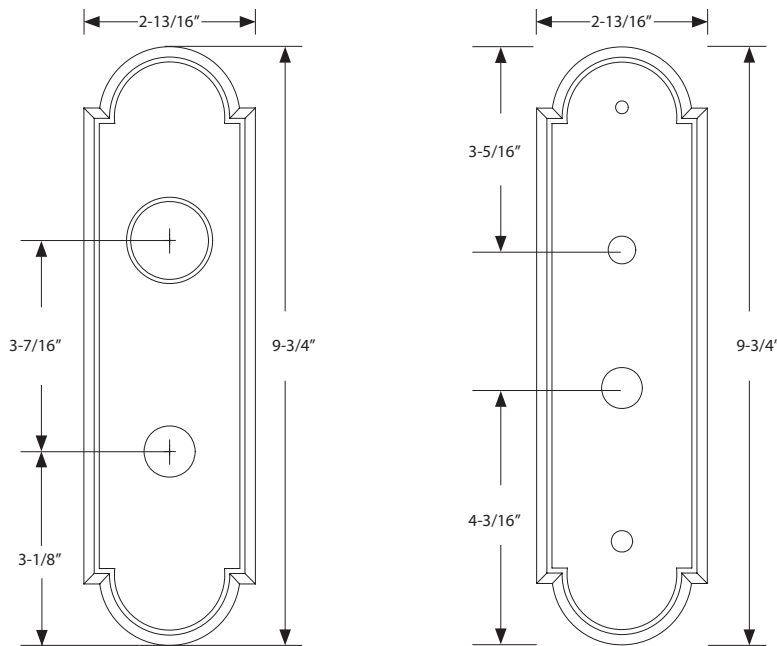
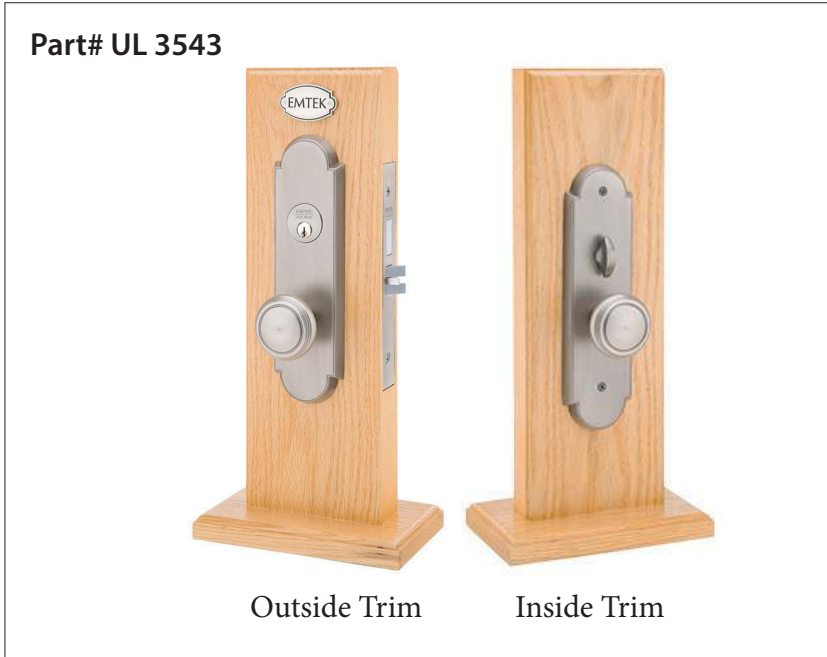
Inside Trim



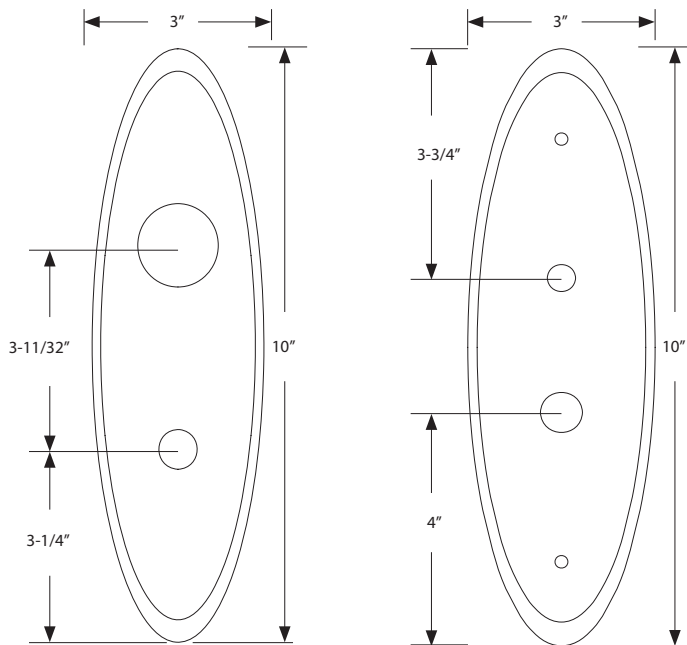
| Door Thickness Specifications   |  |  |
|---|--|--|
| <p><b>Standard Door Thickness: 1-3/4"</b></p> <p>Standard Components:</p> <ul style="list-style-type: none"> <li>• 1-3/8" Threaded Cylinder</li> <li>• 2" Long Spindle</li> <li>• 2" Top Rosette Screw</li> <li>• 1-1/2" Bottom Rosette Screw</li> <li>• Thumbpress</li> <li>• Strikeplate</li> </ul> | <p><b>Extended Door Thickness: 1-7/8" - 2-1/4"</b></p> <p>Extended Components:</p> <ul style="list-style-type: none"> <li>• 1-1/2" Threaded Cylinder</li> <li>• 2" Long Spindle</li> <li>• 2-1/2" Top Rosette Screw</li> <li>• 2" Bottom Rosette Screw</li> <li>• Thumbpress</li> <li>• Strikeplate</li> </ul> | <p><b>Extended Door Thickness: 2-3/8" - 2-3/4"</b></p> <p>Extended Components:</p> <ul style="list-style-type: none"> <li>• 1-3/4" Threaded Cylinder</li> <li>• 2-1/4" Long Spindle</li> <li>• 2-1/2" Top Rosette Screw</li> <li>• 2" Bottom Rosette Screw</li> <li>• Extended Thumbpress</li> <li>• Extended Strikeplate</li> </ul> |



| Door Thickness Specifications   |  |  |
|---|--|--|
| <p><b>Standard Door Thickness: 1-3/4"</b></p> <p>Standard Components:</p> <ul style="list-style-type: none"> <li>• 1-3/8" Threaded Cylinder</li> <li>• 2" Long Spindle</li> <li>• 2" Top Rosette Screw</li> <li>• 1-1/2" Bottom Rosette Screw</li> <li>• Thumbpress</li> <li>• Strikeplate</li> </ul> | <p><b>Extended Door Thickness: 1-7/8" - 2-1/4"</b></p> <p>Extended Components:</p> <ul style="list-style-type: none"> <li>• 1-1/2" Threaded Cylinder</li> <li>• 2" Long Spindle</li> <li>• 2-1/2" Top Rosette Screw</li> <li>• 2" Bottom Rosette Screw</li> <li>• Thumbpress</li> <li>• Strikeplate</li> </ul> | <p><b>Extended Door Thickness: 2-3/8" - 2-3/4"</b></p> <p>Extended Components:</p> <ul style="list-style-type: none"> <li>• 1-3/4" Threaded Cylinder</li> <li>• 2-1/4" Long Spindle</li> <li>• 2-1/2" Top Rosette Screw</li> <li>• 2" Bottom Rosette Screw</li> <li>• Extended Thumbpress</li> <li>• Extended Strikeplate</li> </ul> |



| Door Thickness Specifications   |  |  |
|---|--|--|
| <p><b>Standard Door Thickness: 1-3/4"</b></p> <p>Standard Components:</p> <ul style="list-style-type: none"> <li>• 1-3/8" Threaded Cylinder</li> <li>• 2" Long Spindle</li> <li>• 2" Top Rosette Screw</li> <li>• 1-1/2" Bottom Rosette Screw</li> <li>• Thumbpress</li> <li>• Strikeplate</li> </ul> | <p><b>Extended Door Thickness: 1-7/8" - 2-1/4"</b></p> <p>Extended Components:</p> <ul style="list-style-type: none"> <li>• 1-1/2" Threaded Cylinder</li> <li>• 2" Long Spindle</li> <li>• 2-1/2" Top Rosette Screw</li> <li>• 2" Bottom Rosette Screw</li> <li>• Thumbpress</li> <li>• Strikeplate</li> </ul> | <p><b>Extended Door Thickness: 2-3/8" - 2-3/4"</b></p> <p>Extended Components:</p> <ul style="list-style-type: none"> <li>• 1-3/4" Threaded Cylinder</li> <li>• 2-1/4" Long Spindle</li> <li>• 2-1/2" Top Rosette Screw</li> <li>• 2" Bottom Rosette Screw</li> <li>• Extended Thumbpress</li> <li>• Extended Strikeplate</li> </ul> |



| Door Thickness Specifications   |  |  |
|---|--|--|
| <p><b>Standard Door Thickness: 1-3/4"</b></p> <p>Standard Components:</p> <ul style="list-style-type: none"> <li>• 1-3/8" Threaded Cylinder</li> <li>• 2" Long Spindle</li> <li>• 2" Top Rosette Screw</li> <li>• 1-1/2" Bottom Rosette Screw</li> <li>• Thumbpress</li> <li>• Strikeplate</li> </ul> | <p><b>Extended Door Thickness: 1-7/8" - 2-1/4"</b></p> <p>Extended Components:</p> <ul style="list-style-type: none"> <li>• 1-1/2" Threaded Cylinder</li> <li>• 2" Long Spindle</li> <li>• 2-1/2" Top Rosette Screw</li> <li>• 2" Bottom Rosette Screw</li> <li>• Thumbpress</li> <li>• Strikeplate</li> </ul> | <p><b>Extended Door Thickness: 2-3/8" - 2-3/4"</b></p> <p>Extended Components:</p> <ul style="list-style-type: none"> <li>• 1-3/4" Threaded Cylinder</li> <li>• 2-1/4" Long Spindle</li> <li>• 2-1/2" Top Rosette Screw</li> <li>• 2" Bottom Rosette Screw</li> <li>• Extended Thumbpress</li> <li>• Extended Strikeplate</li> </ul> |

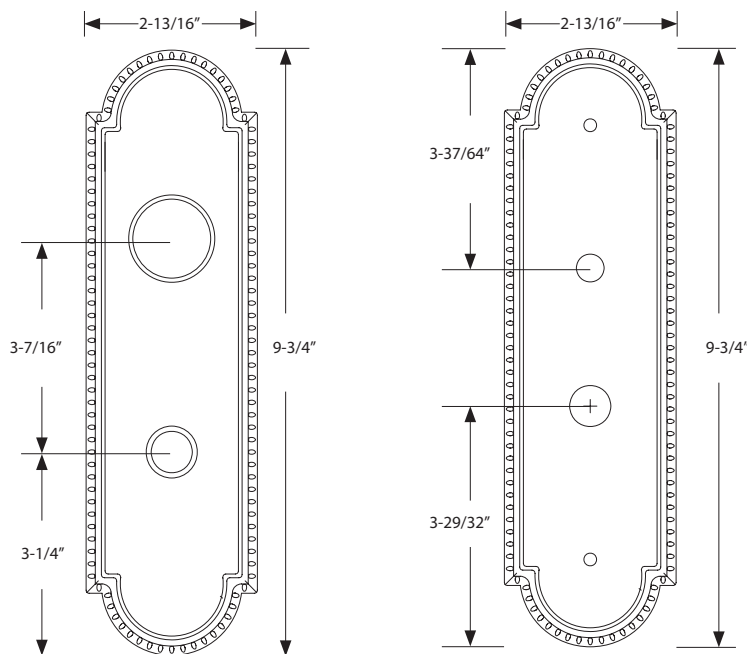


Part# UL 3504



Outside Trim

Inside Trim



Door Thickness Specifications

**Standard Door Thickness:** 1-3/4"

- Standard Components:
- 1-3/8" Threaded Cylinder
  - 2" Long Spindle
  - 2" Top Rosette Screw
  - 1-1/2" Bottom Rosette Screw
  - Thumbpress
  - Strikeplate

**Extended Door Thickness:** 1-7/8" - 2-1/4"

- Extended Components:
- 1-1/2" Threaded Cylinder
  - 2" Long Spindle
  - 2-1/2" Top Rosette Screw
  - 2" Bottom Rosette Screw
  - Thumbpress
  - Strikeplate

**Extended Door Thickness:** 2-3/8" - 2-3/4"

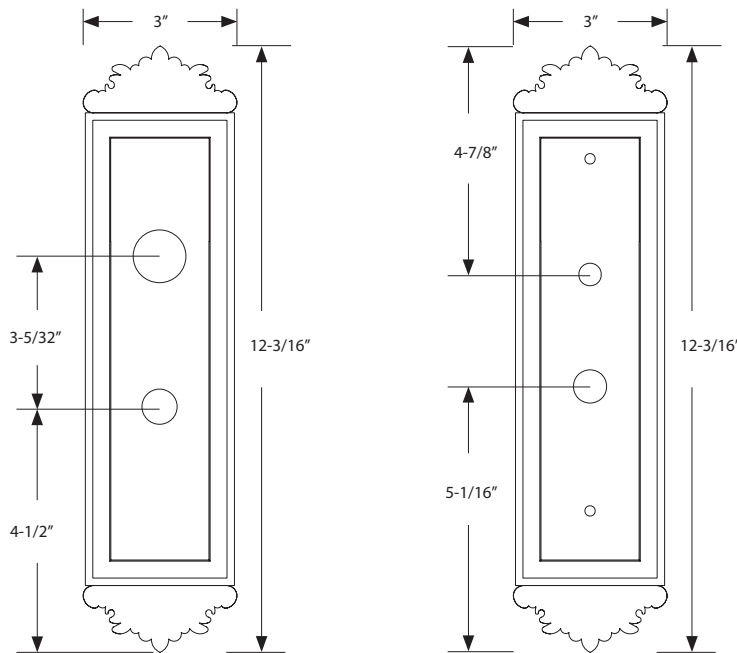
- Extended Components:
- 1-3/4" Threaded Cylinder
  - 2-1/4" Long Spindle
  - 2-1/2" Top Rosette Screw
  - 2" Bottom Rosette Screw
  - Extended Thumbpress
  - Extended Strikeplate

Part# UL 3507



Outside Trim

Inside Trim



**Door Thickness Specifications**

**Standard Door Thickness: 1-3/4"**

Standard Components:

- 1-3/8" Threaded Cylinder
- 2" Long Spindle
- 2" Top Rosette Screw
- 1-1/2" Bottom Rosette Screw
- Thumbpress
- Strikeplate

**Extended Door Thickness: 1-7/8" - 2-1/4"**

Extended Components:

- 1-1/2" Threaded Cylinder
- 2" Long Spindle
- 2-1/2" Top Rosette Screw
- 2" Bottom Rosette Screw
- Thumbpress
- Strikeplate

**Extended Door Thickness: 2-3/8" - 2-3/4"**

Extended Components:

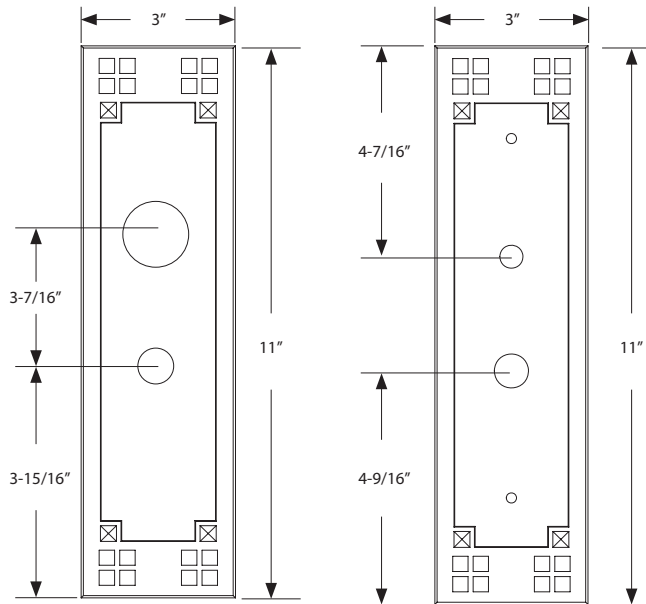
- 1-3/4" Threaded Cylinder
- 2-1/4" Long Spindle
- 2-1/2" Top Rosette Screw
- 2" Bottom Rosette Screw
- Extended Thumbpress
- Extended Strikeplate

Part# UL 3508



Outside Trim

Inside Trim



**Door Thickness Specifications**

**Standard Door Thickness: 1-3/4"**

- Standard Components:
- 1-3/8" Threaded Cylinder
  - 2" Long Spindle
  - 2" Top Rosette Screw
  - 1-1/2" Bottom Rosette Screw
  - Thumbpress
  - Strikeplate

**Extended Door Thickness: 1-7/8" - 2-1/4"**

- Extended Components:
- 1-1/2" Threaded Cylinder
  - 2" Long Spindle
  - 2-1/2" Top Rosette Screw
  - 2" Bottom Rosette Screw
  - Thumbpress
  - Strikeplate

**Extended Door Thickness: 2-3/8" - 2-3/4"**

- Extended Components:
- 1-3/4" Threaded Cylinder
  - 2-1/4" Long Spindle
  - 2-1/2" Top Rosette Screw
  - 2" Bottom Rosette Screw
  - Extended Thumbpress
  - Extended Strikeplate

# DISCONTINUED

Oval Ribbon & Reed UL Morstise Knob by Knob, Lever by Lever Entry Sets

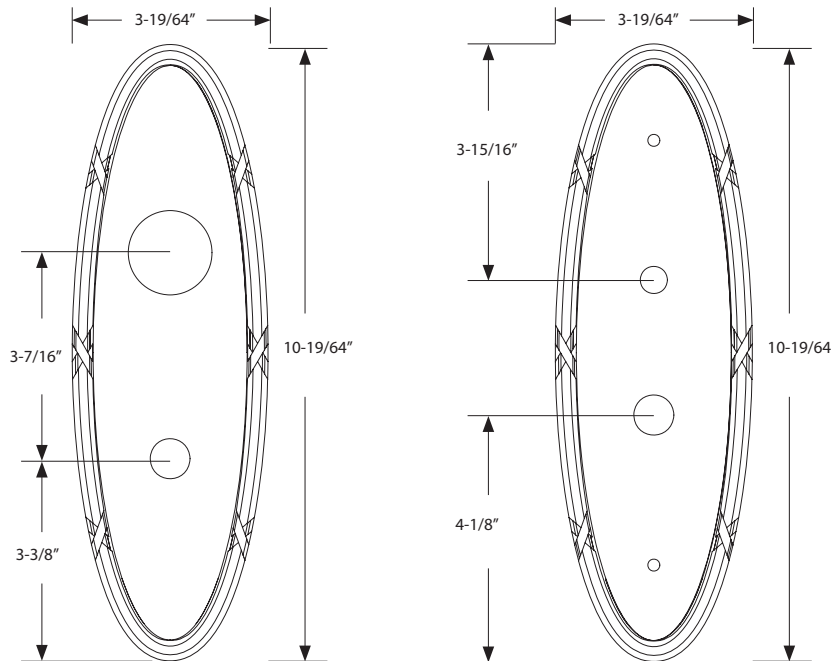
EMTEK®

Oval Ribbon & Reed  
Part# UL 3542



Outside Trim

Inside Trim

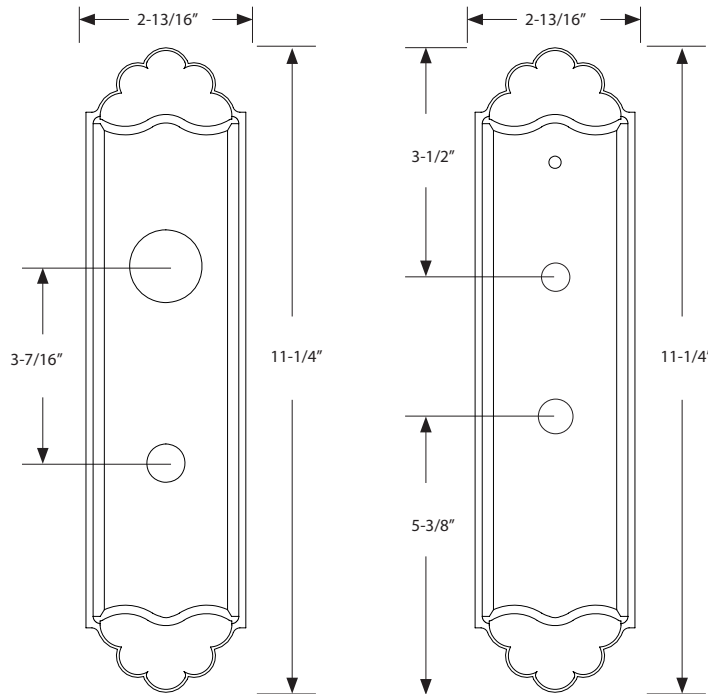


| Door Thickness Specifications   |  |  |
|---|--|--|
| <p><b>Standard Door Thickness: 1-3/4"</b></p> <p>Standard Components:</p> <ul style="list-style-type: none"> <li>• 1-3/8" Threaded Cylinder</li> <li>• 2" Long Spindle</li> <li>• 2" Top Rosette Screw</li> <li>• 1-1/2" Bottom Rosette Screw</li> <li>• Thumbpress</li> <li>• Strikeplate</li> </ul> | <p><b>Extended Door Thickness: 1-7/8" - 2-1/4"</b></p> <p>Extended Components:</p> <ul style="list-style-type: none"> <li>• 1-1/2" Threaded Cylinder</li> <li>• 2" Long Spindle</li> <li>• 2-1/2" Top Rosette Screw</li> <li>• 2" Bottom Rosette Screw</li> <li>• Thumbpress</li> <li>• Strikeplate</li> </ul> | <p><b>Extended Door Thickness: 2-3/8" - 2-3/4"</b></p> <p>Extended Components:</p> <ul style="list-style-type: none"> <li>• 1-3/4" Threaded Cylinder</li> <li>• 2-1/4" Long Spindle</li> <li>• 2-1/2" Top Rosette Screw</li> <li>• 2" Bottom Rosette Screw</li> <li>• Extended Thumbpress</li> <li>• Extended Strikeplate</li> </ul> |

# DISCONTINUED

Valley Forge UL Morstise Knob by Knob, Lever by Lever Entry Sets

EMTEK®



## Door Thickness Specifications

### Standard Door Thickness: 1-3/4"

Standard Components:

- 1-3/8" Threaded Cylinder
- 2" Long Spindle
- 2" Top Rosette Screw
- 1-1/2" Bottom Rosette Screw
- Thumbpress
- Strikeplate

### Extended Door Thickness: 1-7/8" - 2-1/4"

Extended Components:

- 1-1/2" Threaded Cylinder
- 2" Long Spindle
- 2-1/2" Top Rosette Screw
- 2" Bottom Rosette Screw
- Thumbpress
- Strikeplate

### Extended Door Thickness: 2-3/8" - 2-3/4"

Extended Components:

- 1-3/4" Threaded Cylinder
- 2-1/4" Long Spindle
- 2-1/2" Top Rosette Screw
- 2" Bottom Rosette Screw
- Extended Thumbpress
- Extended Strikeplate

# DISCONTINUED

Art Nouveau UL Morstise Knob by Knob, Lever by Lever Entry Sets

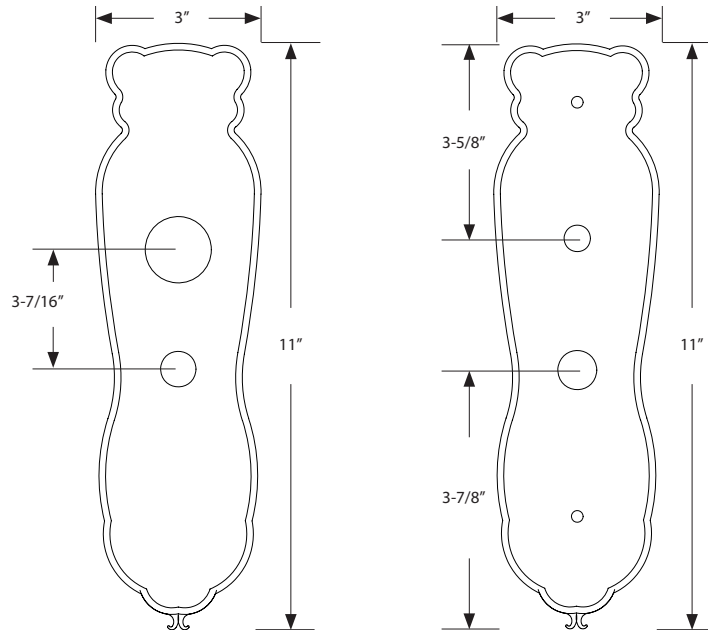
EMTEK®

Art Nouveau  
Part# UL 3532



Outside Trim

Inside Trim



### Door Thickness Specifications

**Standard Door Thickness: 1-3/4"**

- Standard Components:
- 1-3/8" Threaded Cylinder
  - 2" Long Spindle
  - 2" Top Rosette Screw
  - 1-1/2" Bottom Rosette Screw
  - Thumbpress
  - Strikeplate

**Extended Door Thickness: 1-7/8" - 2-1/4"**

- Extended Components:
- 1-1/2" Threaded Cylinder
  - 2" Long Spindle
  - 2-1/2" Top Rosette Screw
  - 2" Bottom Rosette Screw
  - Thumbpress
  - Strikeplate

**Extended Door Thickness: 2-3/8" - 2-3/4"**

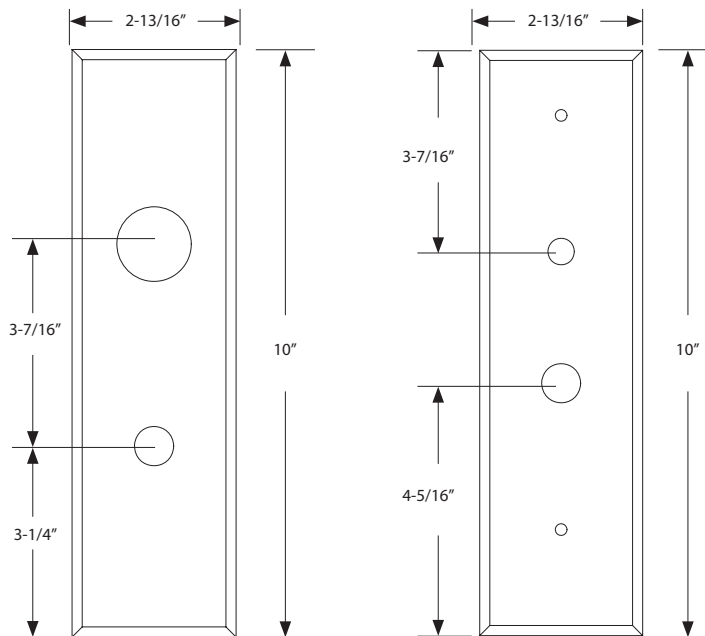
- Extended Components:
- 1-3/4" Threaded Cylinder
  - 2-1/4" Long Spindle
  - 2-1/2" Top Rosette Screw
  - 2" Bottom Rosette Screw
  - Extended Thumbpress
  - Extended Strikeplate

Part# UL 3525



Outside Trim

Inside Trim



Door Thickness Specifications

**Standard Door Thickness: 1-3/4"**

Standard Components:

- 1-3/8" Threaded Cylinder
- 2" Long Spindle
- 2" Top Rosette Screw
- 1-1/2" Bottom Rosette Screw
- Thumbpress
- Strikeplate

**Extended Door Thickness: 1-7/8" - 2-1/4"**

Extended Components:

- 1-1/2" Threaded Cylinder
- 2" Long Spindle
- 2-1/2" Top Rosette Screw
- 2" Bottom Rosette Screw
- Thumbpress
- Strikeplate

**Extended Door Thickness: 2-3/8" - 2-3/4"**

Extended Components:

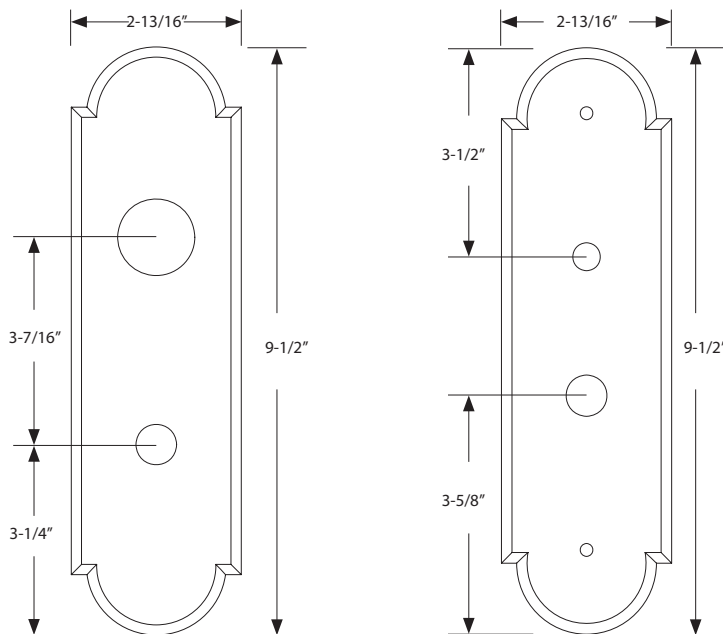
- 1-3/4" Threaded Cylinder
- 2-1/4" Long Spindle
- 2-1/2" Top Rosette Screw
- 2" Bottom Rosette Screw
- Extended Thumbpress
- Extended Strikeplate

Part# UL 3521



Outside Trim

Inside Trim



| Door Thickness Specifications   |  |  |
|---|--|--|
| <p><b>Standard Door Thickness: 1-3/4"</b></p> <p>Standard Components:</p> <ul style="list-style-type: none"> <li>• 1-3/8" Threaded Cylinder</li> <li>• 2" Long Spindle</li> <li>• 2" Top Rosette Screw</li> <li>• 1-1/2" Bottom Rosette Screw</li> <li>• Thumbpress</li> <li>• Strikeplate</li> </ul> | <p><b>Extended Door Thickness: 1-7/8" - 2-1/4"</b></p> <p>Extended Components:</p> <ul style="list-style-type: none"> <li>• 1-1/2" Threaded Cylinder</li> <li>• 2" Long Spindle</li> <li>• 2-1/2" Top Rosette Screw</li> <li>• 2" Bottom Rosette Screw</li> <li>• Thumbpress</li> <li>• Strikeplate</li> </ul> | <p><b>Extended Door Thickness: 2-3/8" - 2-3/4"</b></p> <p>Extended Components:</p> <ul style="list-style-type: none"> <li>• 1-3/4" Threaded Cylinder</li> <li>• 2-1/4" Long Spindle</li> <li>• 2-1/2" Top Rosette Screw</li> <li>• 2" Bottom Rosette Screw</li> <li>• Extended Thumbpress</li> <li>• Extended Strikeplate</li> </ul> |

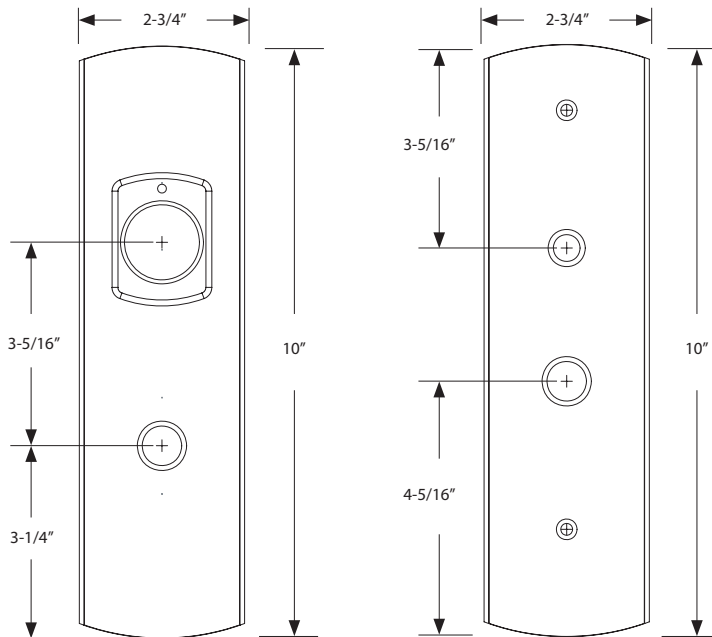


Part# UL 3534



Outside Trim

Inside Trim



Door Thickness Specifications

**Standard Door Thickness:** 1-3/4"

- Standard Components:
- 1-3/8" Threaded Cylinder
  - 2" Long Spindle
  - 2" Top Rosette Screw
  - 1-1/2" Bottom Rosette Screw
  - Thumbpress
  - Strikeplate

**Extended Door Thickness:** 1-7/8" - 2-1/4"

- Extended Components:
- 1-1/2" Threaded Cylinder
  - 2" Long Spindle
  - 2-1/2" Top Rosette Screw
  - 2" Bottom Rosette Screw
  - Thumbpress
  - Strikeplate

**Extended Door Thickness:** 2-3/8" - 2-3/4"

- Extended Components:
- 1-3/4" Threaded Cylinder
  - 2-1/4" Long Spindle
  - 2-1/2" Top Rosette Screw
  - 2" Bottom Rosette Screw
  - Extended Thumbpress
  - Extended Strikeplate

# DISCONTINUED

Wrought Steel UL Morstise Knob by Knob, Lever by Lever Entry Sets

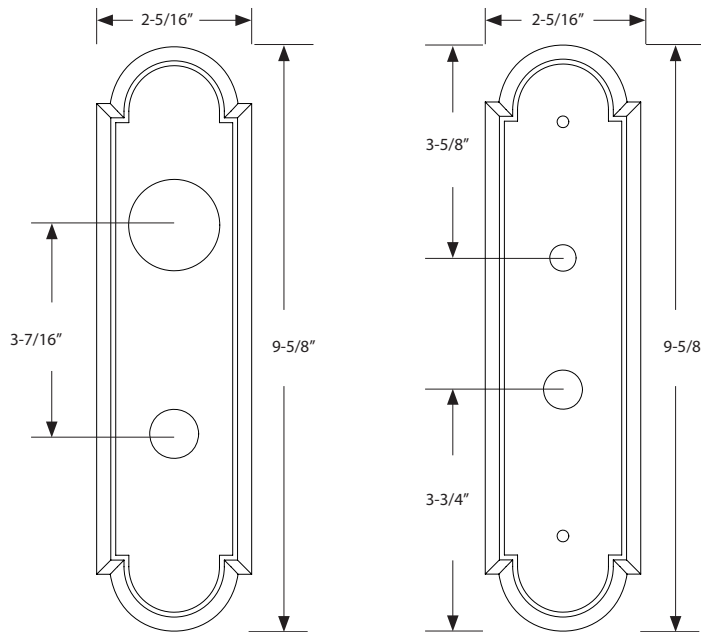
EMTEK®

Wrought Steel  
Part# UL 3511



Outside Trim

Inside Trim



### Door Thickness Specifications

**Standard Door Thickness: 1-3/4"**

- Standard Components:
- 1-3/8" Threaded Cylinder
  - 2" Long Spindle
  - 2" Top Rosette Screw
  - 1-1/2" Bottom Rosette Screw
  - Thumbpress
  - Strikeplate

**Extended Door Thickness: 1-7/8" - 2-1/4"**

- Extended Components:
- 1-1/2" Threaded Cylinder
  - 2" Long Spindle
  - 2-1/2" Top Rosette Screw
  - 2" Bottom Rosette Screw
  - Thumbpress
  - Strikeplate

**Extended Door Thickness: 2-3/8" - 2-3/4"**

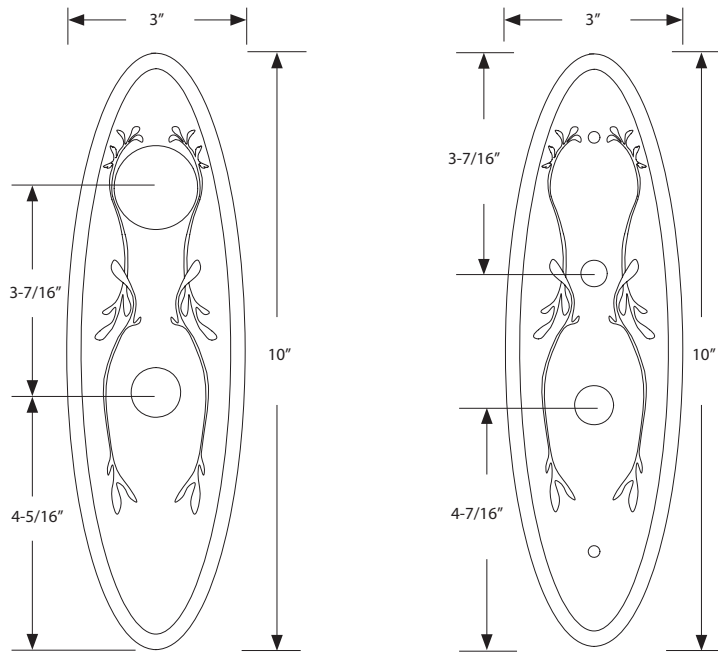
- Extended Components:
- 1-3/4" Threaded Cylinder
  - 2-1/4" Long Spindle
  - 2-1/2" Top Rosette Screw
  - 2" Bottom Rosette Screw
  - Extended Thumbpress
  - Extended Strikeplate

Da Vinci  
 Part# UL 3531



Outside Trim

Inside Trim



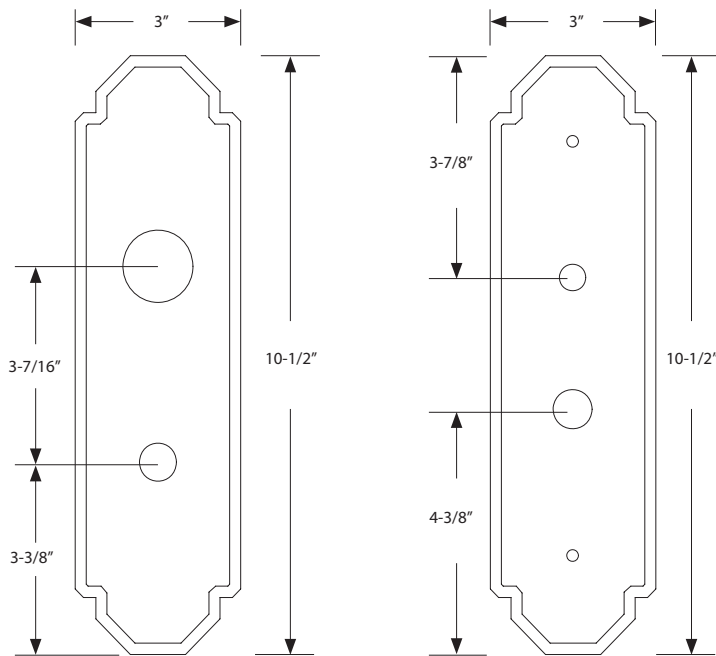
| Door Thickness Specifications   |  |  |
|---|--|--|
| <p><b>Standard Door Thickness: 1-3/4"</b></p> <p>Standard Components:</p> <ul style="list-style-type: none"> <li>• 1-3/8" Threaded Cylinder</li> <li>• 2" Long Spindle</li> <li>• 2" Top Rosette Screw</li> <li>• 1-1/2" Bottom Rosette Screw</li> <li>• Thumbpress</li> <li>• Strikeplate</li> </ul> | <p><b>Extended Door Thickness: 1-7/8" - 2-1/4"</b></p> <p>Extended Components:</p> <ul style="list-style-type: none"> <li>• 1-1/2" Threaded Cylinder</li> <li>• 2" Long Spindle</li> <li>• 2-1/2" Top Rosette Screw</li> <li>• 2" Bottom Rosette Screw</li> <li>• Thumbpress</li> <li>• Strikeplate</li> </ul> | <p><b>Extended Door Thickness: 2-3/8" - 2-3/4"</b></p> <p>Extended Components:</p> <ul style="list-style-type: none"> <li>• 1-3/4" Threaded Cylinder</li> <li>• 2-1/4" Long Spindle</li> <li>• 2-1/2" Top Rosette Screw</li> <li>• 2" Bottom Rosette Screw</li> <li>• Extended Thumbpress</li> <li>• Extended Strikeplate</li> </ul> |

Part# UL 3533



Outside Trim

Inside Trim



| Door Thickness Specifications   |  |  |
|---|--|--|
| <p><b>Standard Door Thickness: 1-3/4"</b></p> <p>Standard Components:</p> <ul style="list-style-type: none"> <li>• 1-3/8" Threaded Cylinder</li> <li>• 2" Long Spindle</li> <li>• 2" Top Rosette Screw</li> <li>• 1-1/2" Bottom Rosette Screw</li> <li>• Thumbpress</li> <li>• Strikeplate</li> </ul> | <p><b>Extended Door Thickness: 1-7/8" - 2-1/4"</b></p> <p>Extended Components:</p> <ul style="list-style-type: none"> <li>• 1-1/2" Threaded Cylinder</li> <li>• 2" Long Spindle</li> <li>• 2-1/2" Top Rosette Screw</li> <li>• 2" Bottom Rosette Screw</li> <li>• Thumbpress</li> <li>• Strikeplate</li> </ul> | <p><b>Extended Door Thickness: 2-3/8" - 2-3/4"</b></p> <p>Extended Components:</p> <ul style="list-style-type: none"> <li>• 1-3/4" Threaded Cylinder</li> <li>• 2-1/4" Long Spindle</li> <li>• 2-1/2" Top Rosette Screw</li> <li>• 2" Bottom Rosette Screw</li> <li>• Extended Thumbpress</li> <li>• Extended Strikeplate</li> </ul> |