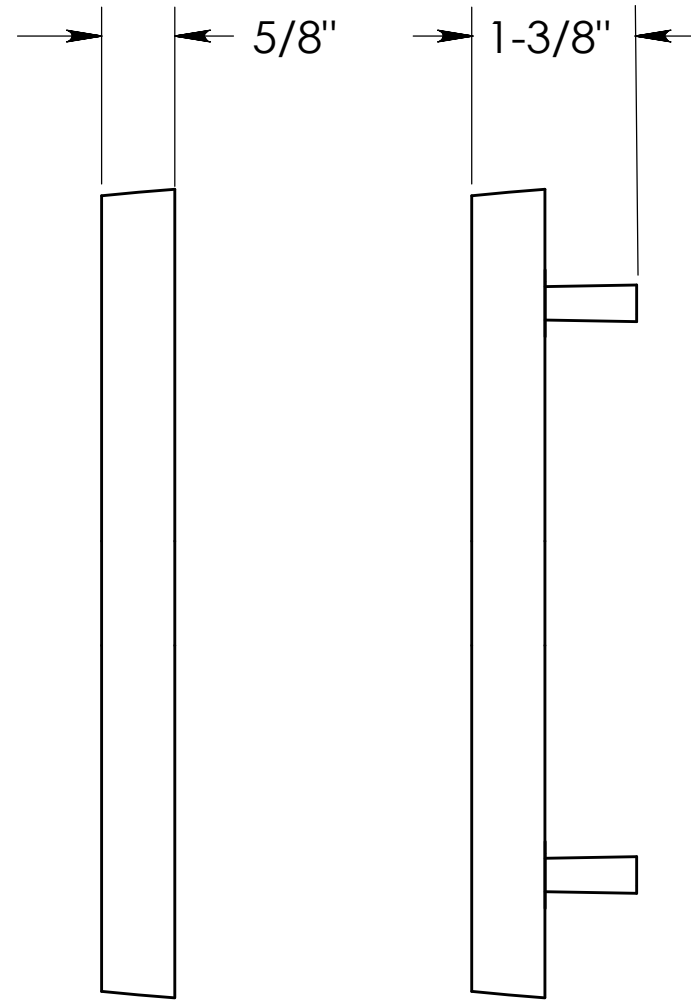
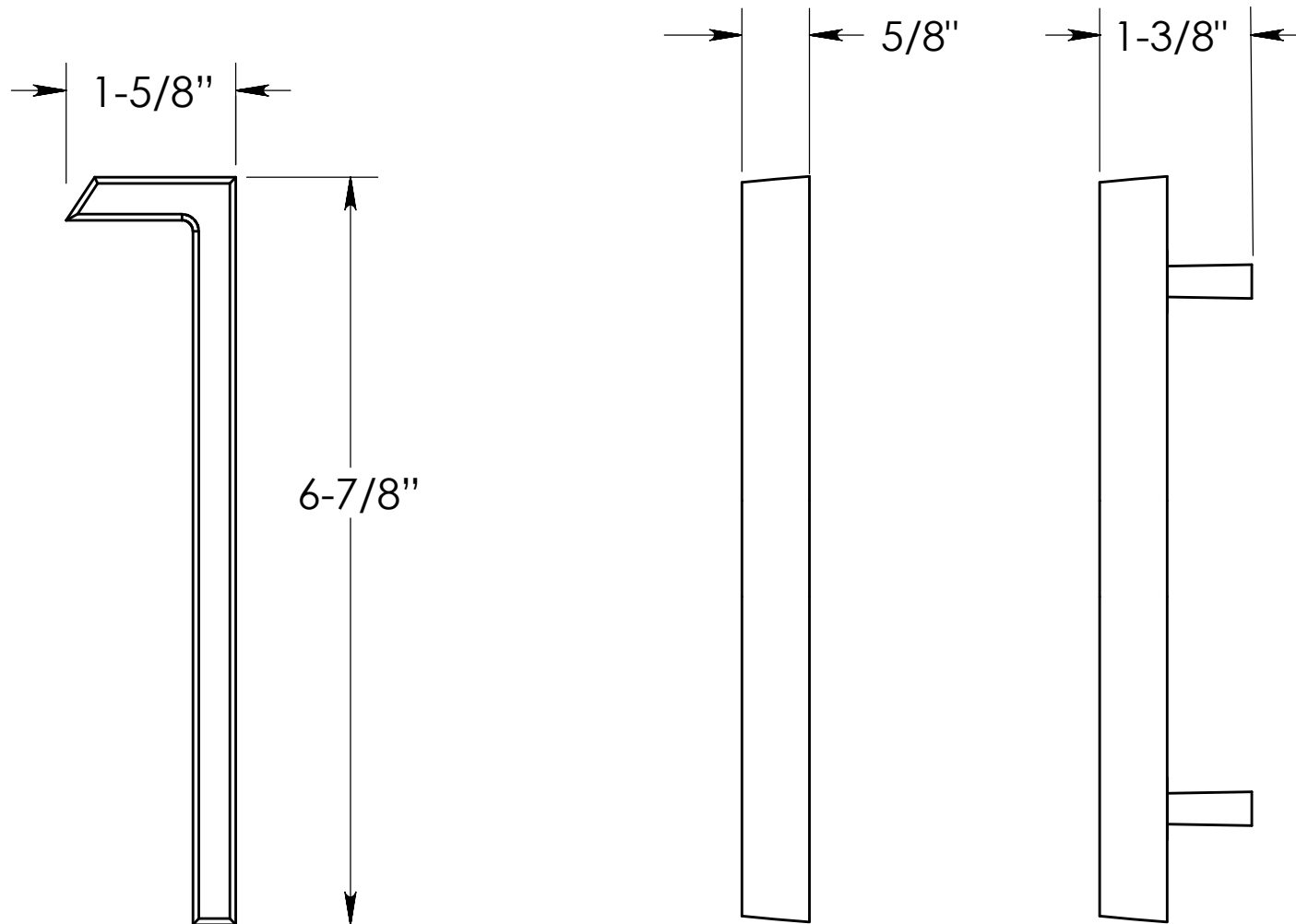


Front View



Side View
(without Standoff)

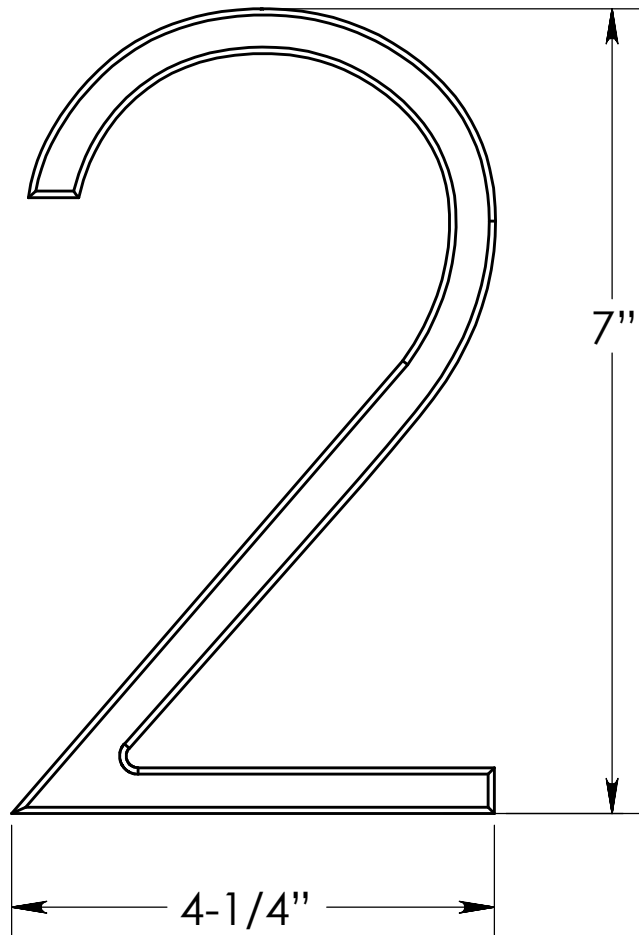
Side View
(with Standoffs)



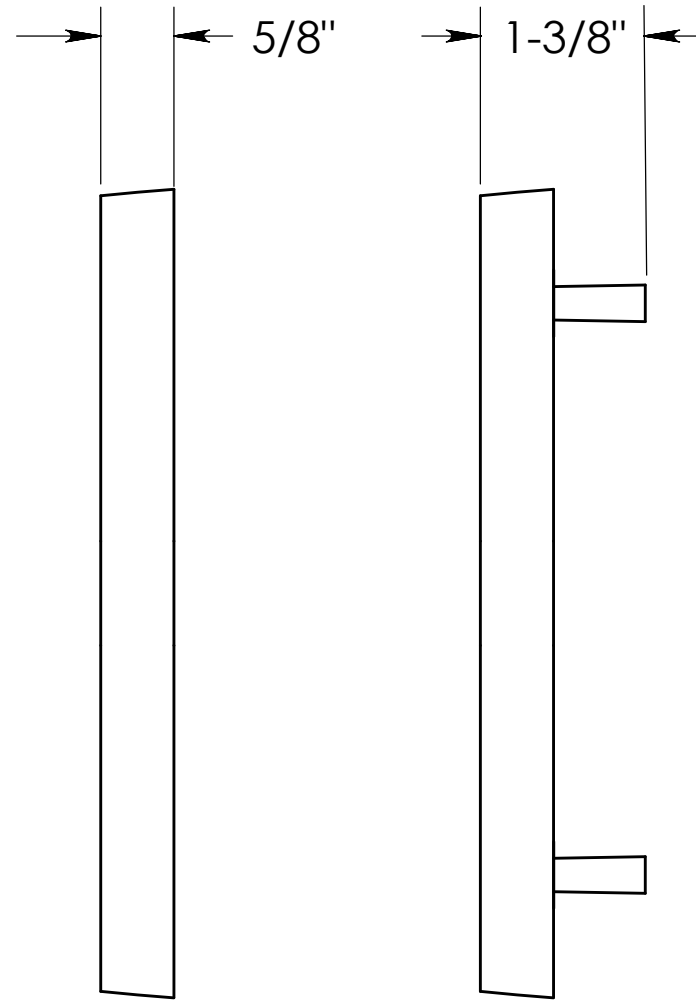
Front View

Side View
(without Standoff)

Side View
(with Standoffs)

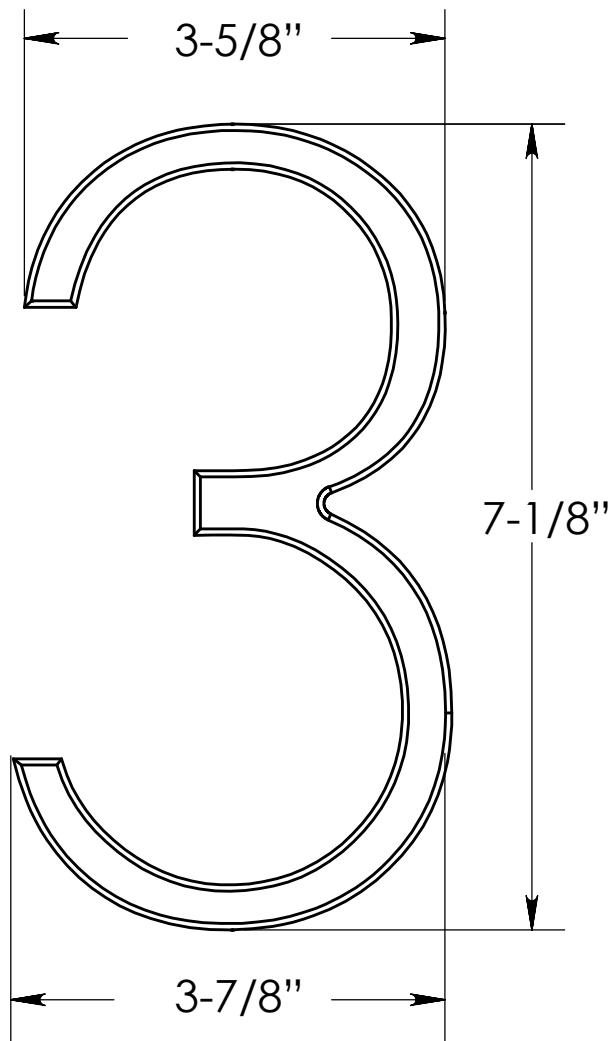


Front View

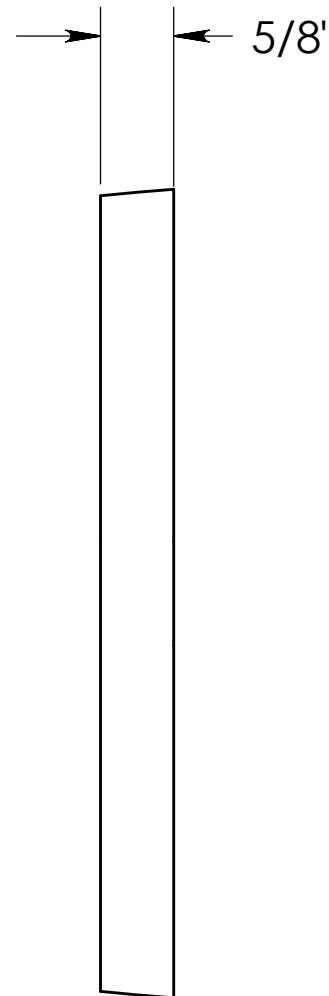


Side View
(without Standoff)

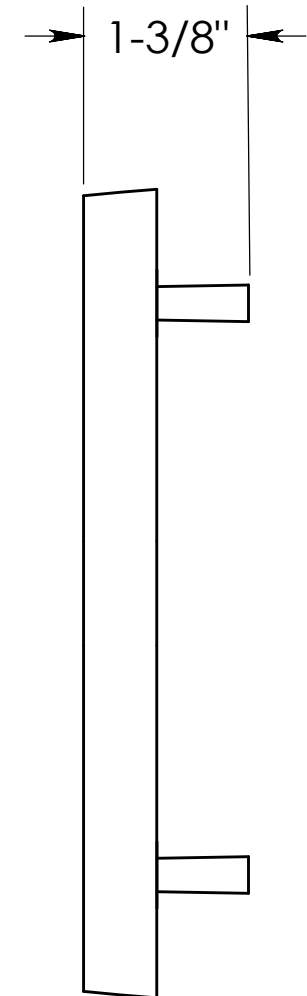
Side View
(with Standoffs)



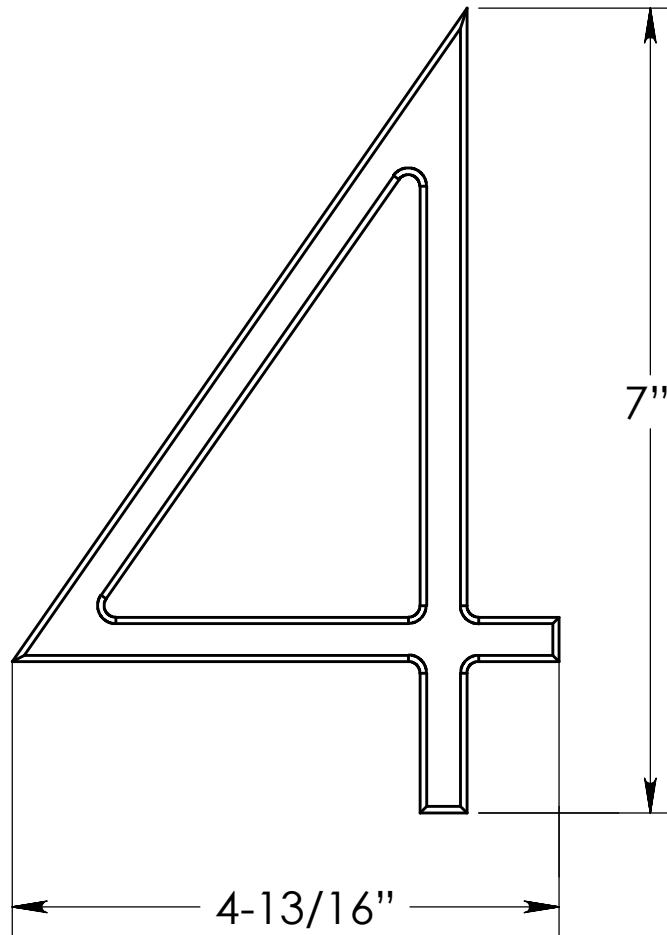
Front View



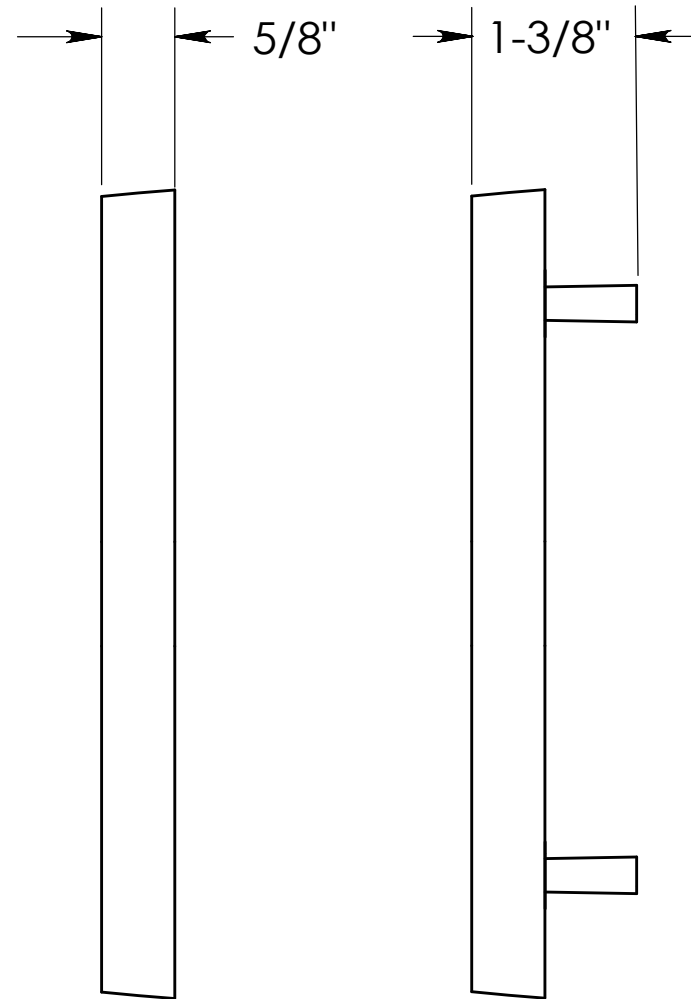
Side View
(without Standoff)



Side View
(with Standoffs)

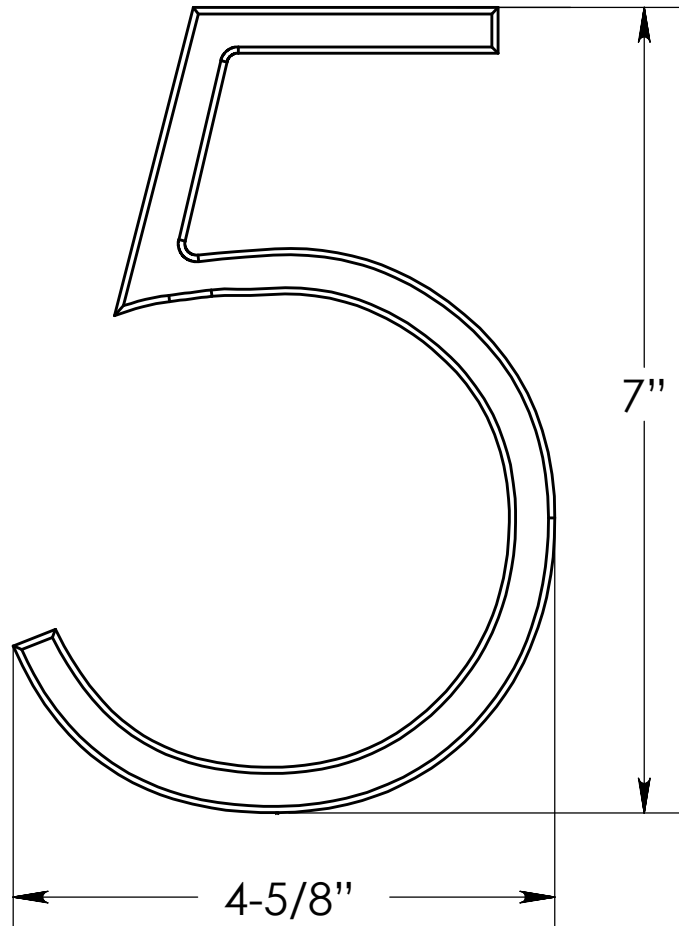


Front View

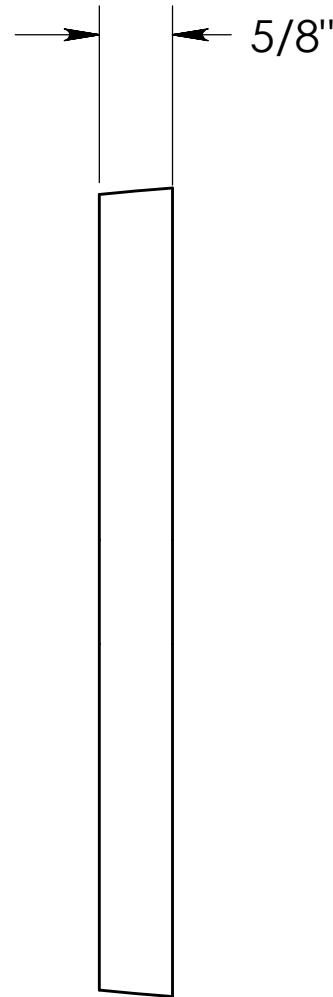


Side View
(without Standoff)

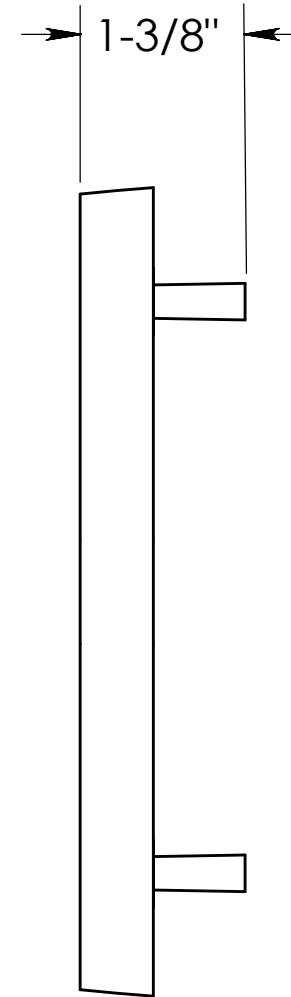
Side View
(with Standoffs)



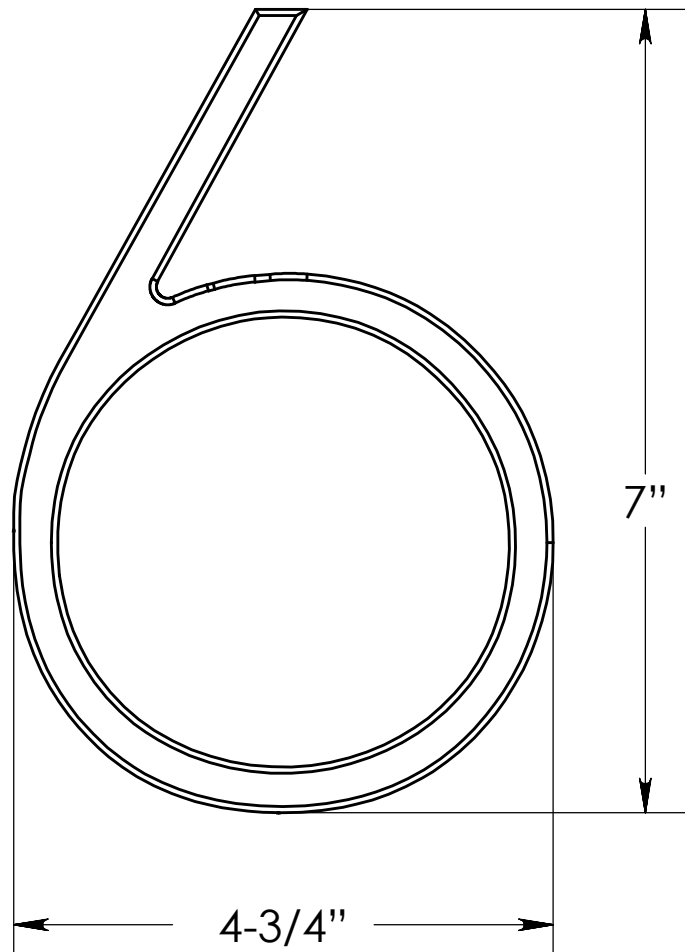
Front View



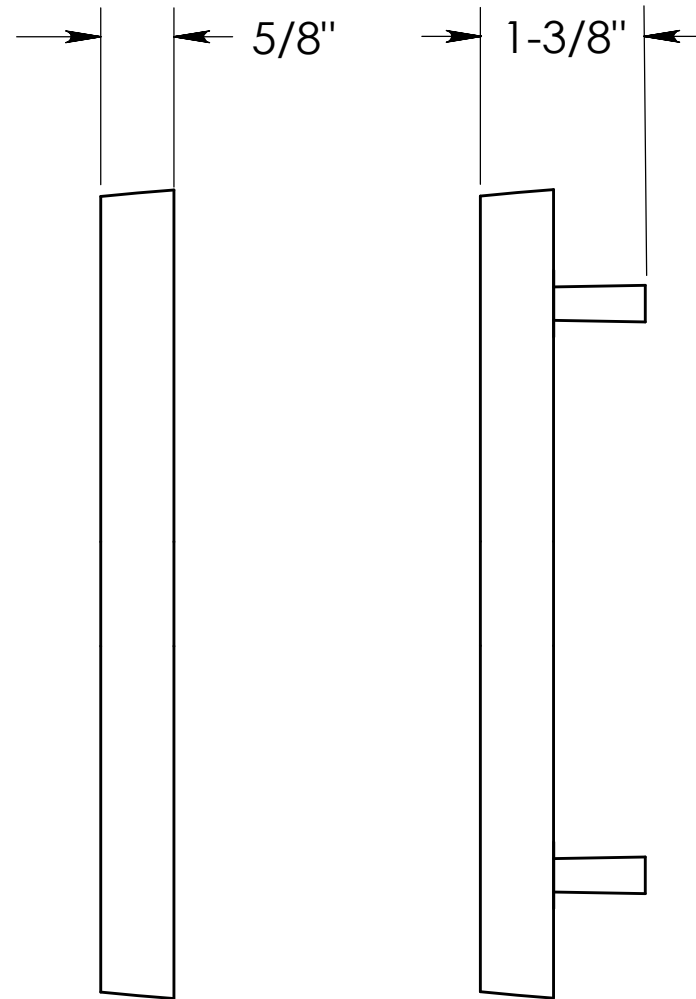
Side View
(without Standoff)



Side View
(with Standoffs)

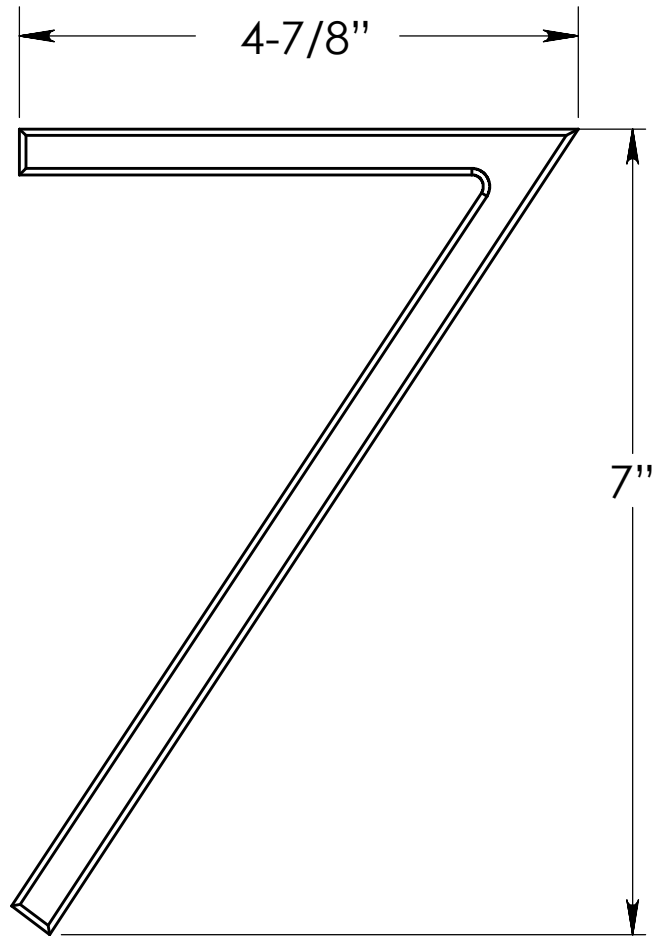


Front View

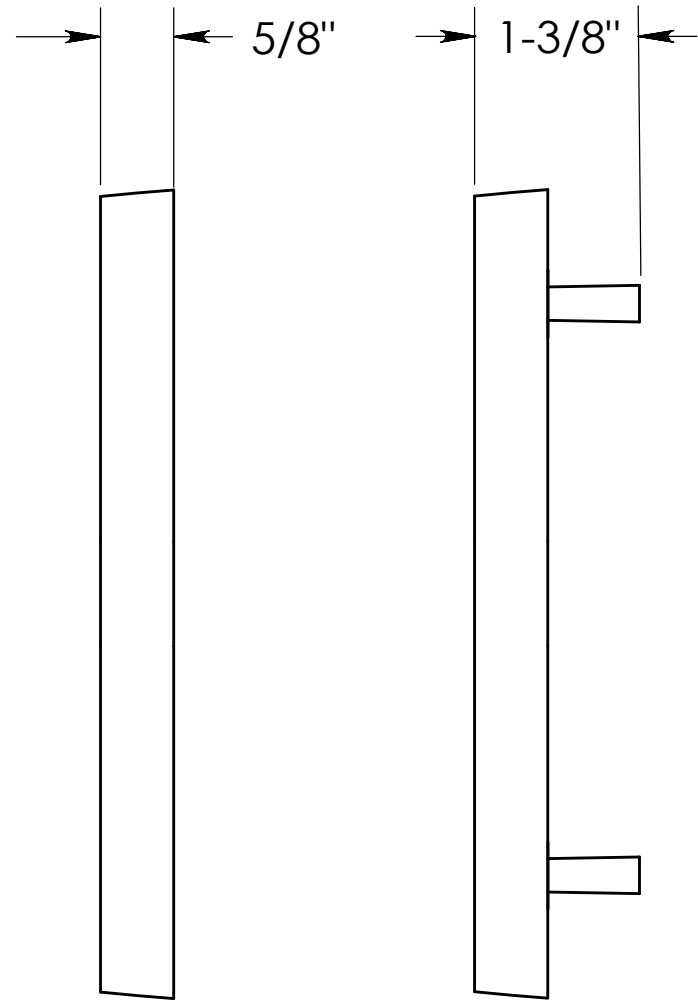


Side View
(without Standoff)

Side View
(with Standoffs)

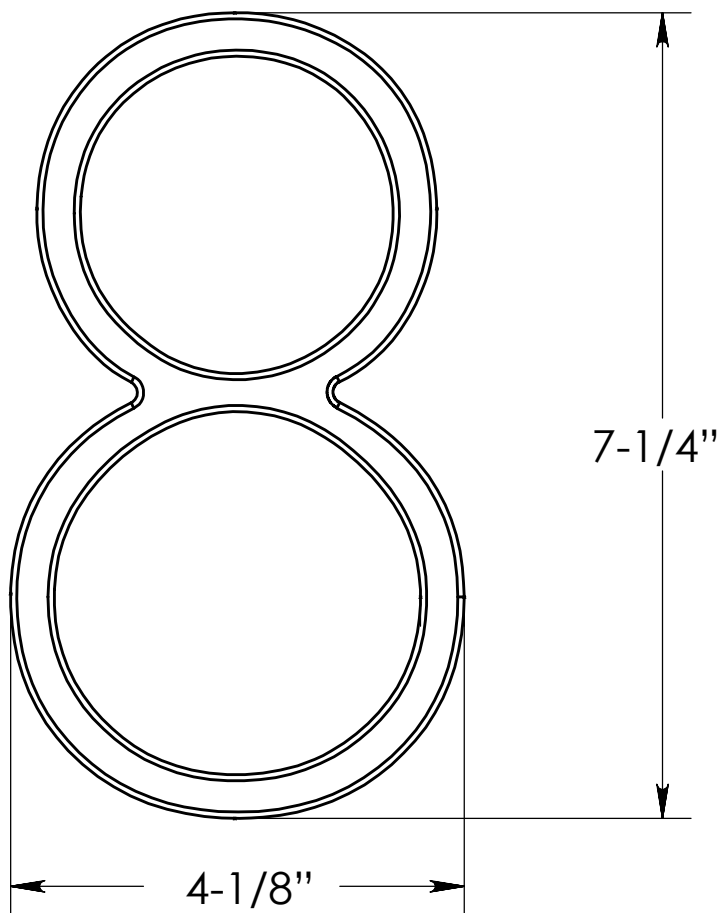


Front View

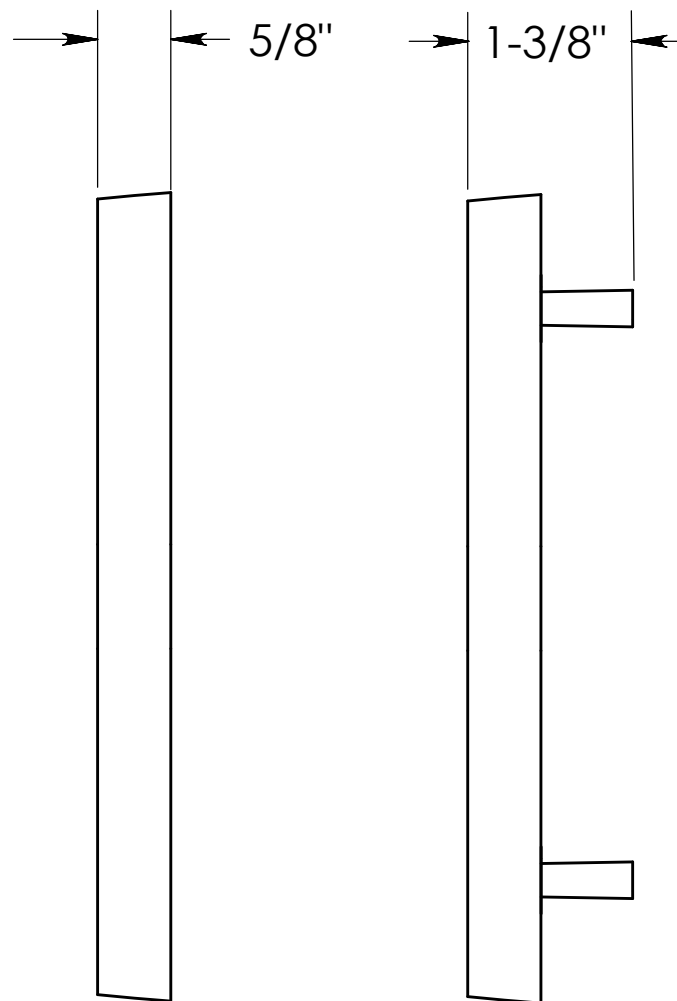


Side View
(without Standoff)

Side View
(with Standoffs)

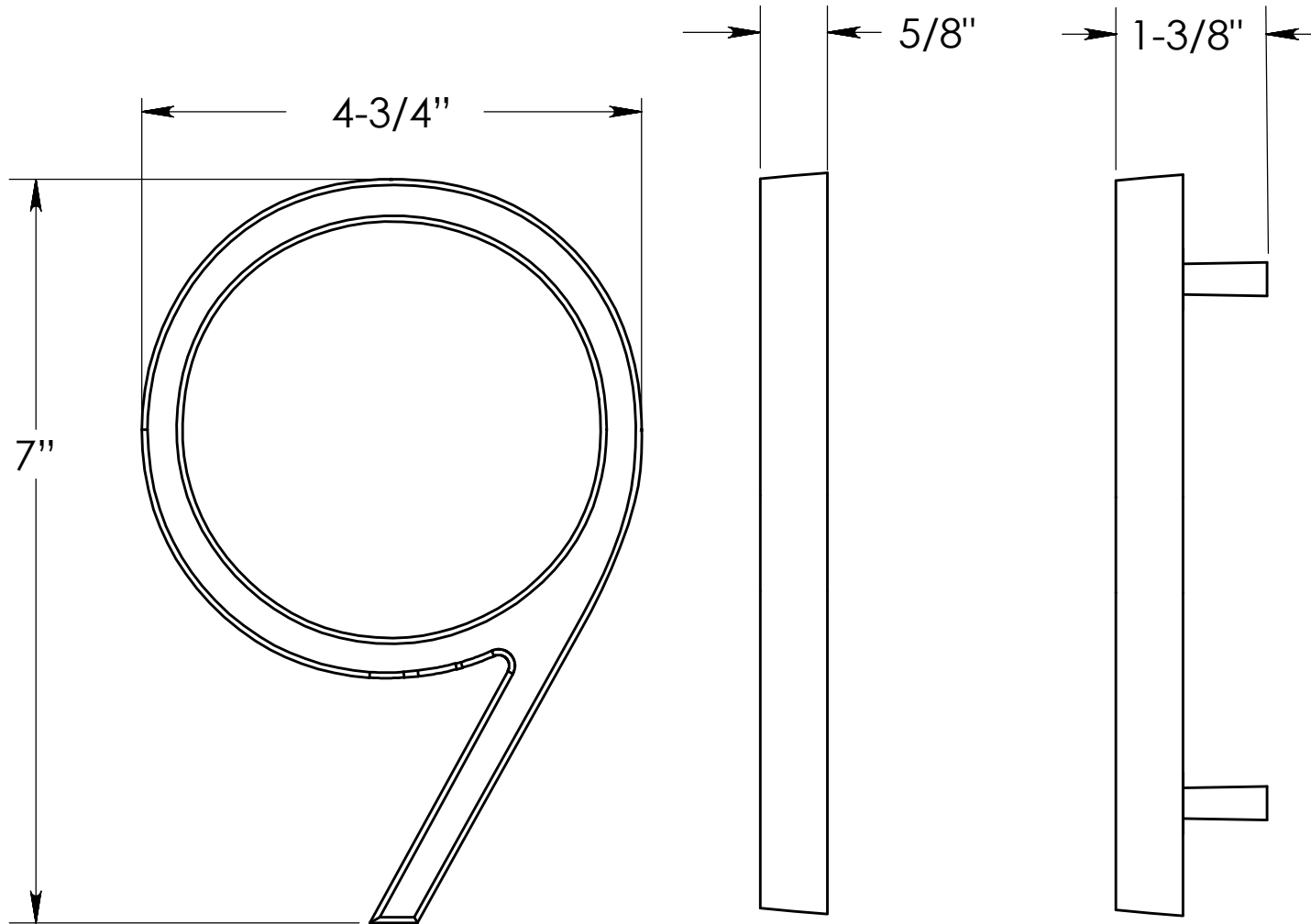


Front View



Side View
(without Standoff)

Side View
(with Standoffs)

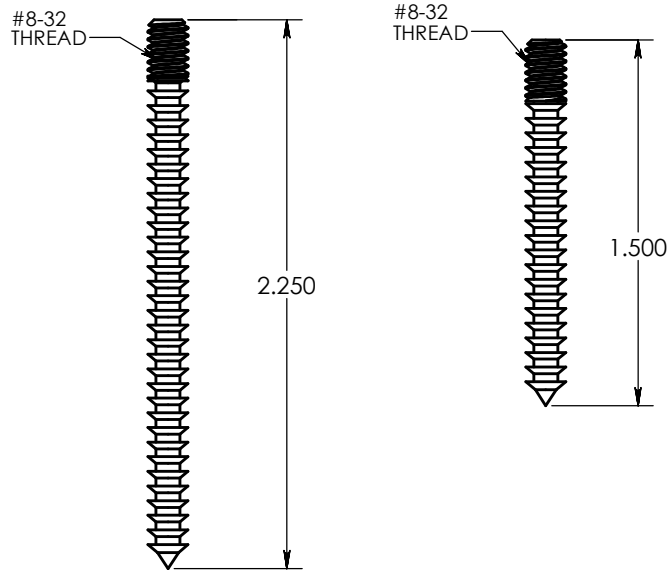


Front View

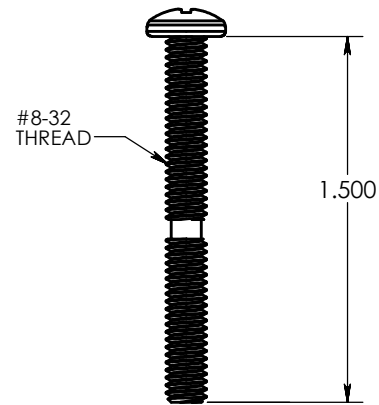
Side View
(without Standoffs)

Side View
(with Standoffs)

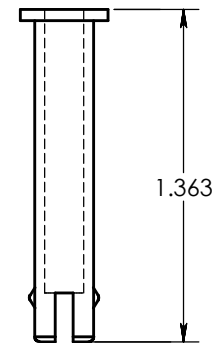
Threaded Rod
Includes 2 Lengths



**Breakaway
Screw**



Anchor



**Optional
Standoff**

