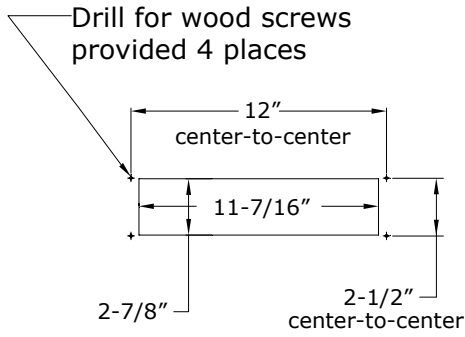
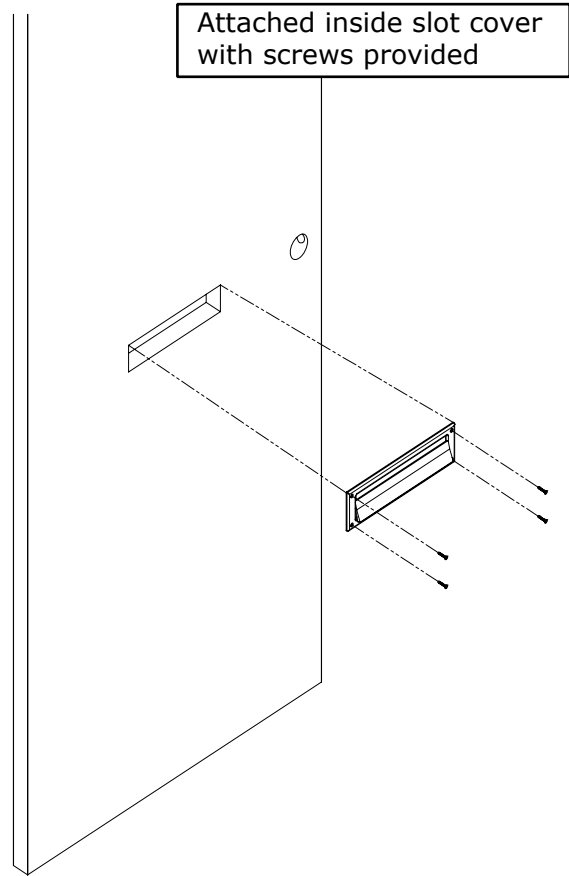


Door Prep

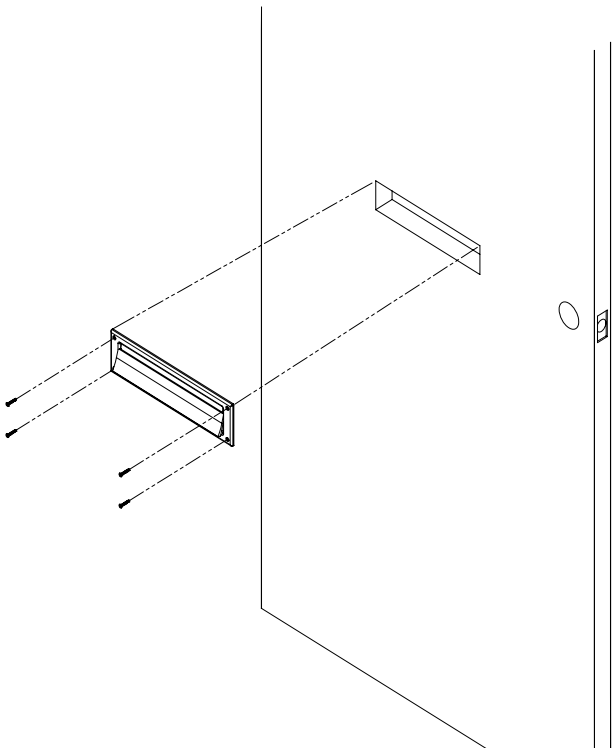


Prep mail slot opening by cutting thru door and drill for wood screws provided

Inside Trim



Outside Trim



Note: Outside cover is spring loaded

Optional Mail Slot Sleeve

Inside

