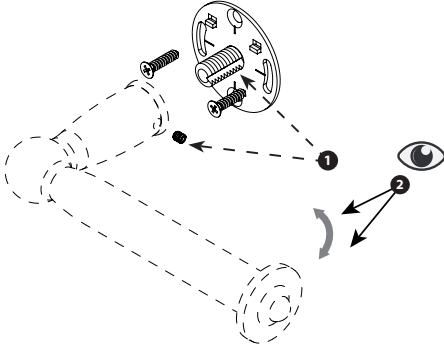
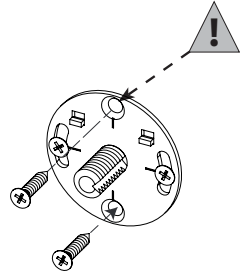


Installation Guide - Bar Style Paper Holder **EMTEK**

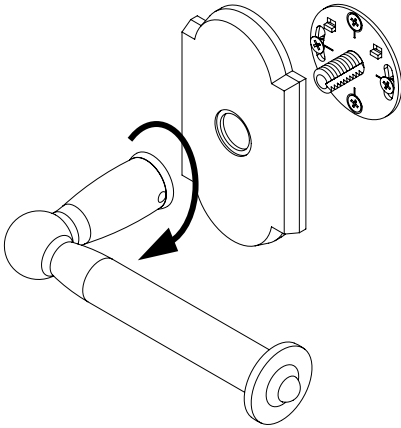
1. Install mounting plate
& adjust for level



2. Rotate as needed before installing
the second set of screws



3. Install trim plate



4. Tighten set screw

