
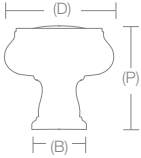


GEOMETRIC


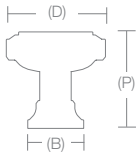
Cabinet Knobs & Pulls Technical Specifications

EMTEK

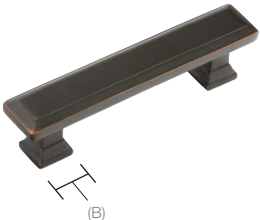
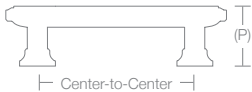
Geometric Oval Cabinet Knob

		Product Code Dimension(D) Projection(P) Base Diameter(B)
		86304 1 ¼" 1 ¼" ¾"
		86305 1 ½" 1 ½" ¾"
		86306 1 ¾" 1 ½" ¾"

Geometric Square Knob

		Product Code Dimension(D) Projection(P) Base Dimension(B)
		86295 1 ¼" 1 ¼" ¾"
		86296 1 ⅝" 1 ⅜" ¾"

Geometric Rectangular Pull

		Product Code Dimension C-to-C Overall Projection(P) Base Dimension(B)
		86299 3" 4 ¼" 1 ⅛" ⅝"
		86300 3 ½" 4 ⅝" 1 ⅛" ⅝"
		86301 4" 5 ¼" 1 ⅛" ⅝"
		86492 5" 6 ¼" 1 ⅛" ⅝"
		86302 6" 7 ¼" 1 ⅛" ⅝"
		86303 10" 11 ¼" 1 ⅛" ⅝"
		86493 12" 13 ¼" 1 ⅛" ⅝"